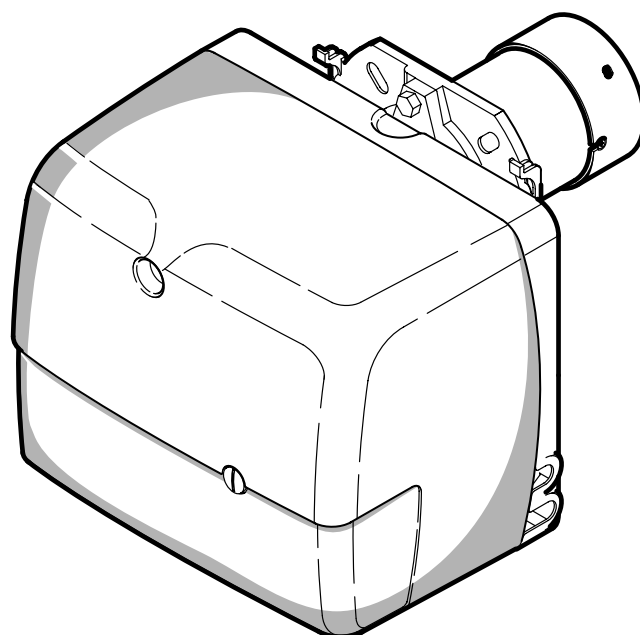


- GB** Oil burner
- F** Brûleur fioul
- NL** Stookoliebrander

One stage operation
Fonctionnement à 1 allure
Eentrapsbranders



CODE	MODEL - MODELE	TYPE
8099050	SIME MACK 6	412 T

INDEX

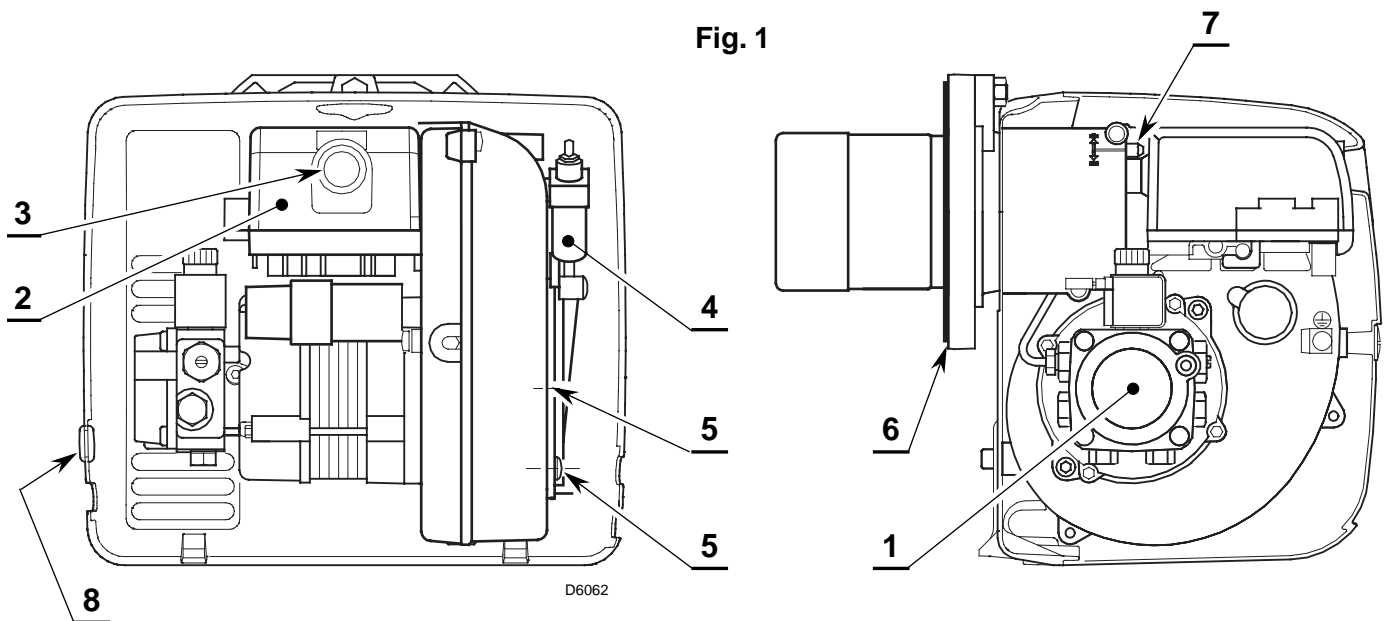
1. BURNER DESCRIPTION	1	4.2 Nozzles recommended	6
1.1 Burner equipment	1	4.3 Maintenance position	7
2. TECHNICAL DATA	2	4.4 Electrode setting	7
2.1 Technical data	2	4.5 Combustion head setting	7
2.2 Overall dimensions	2	4.6 Air damper adjustment	8
2.3 Working field	2	4.7 Pump pressure	8
3. INSTALLATION	3	4.8 Burner start-up cycle	9
3.1 Boiler fixing	3	4.9 Adjustments, to avoid flame - detachment, at burner - ignition	9
3.2 Hydraulic systems	4	5. MAINTENANCE	9
3.3 Electrical wiring	5	6. FAULTS / SOLUTIONS	10
4. WORKING	6		
4.1 Combustion adjustment	6		

1. BURNER DESCRIPTION

One stage light oil burner.

- The burner meets protection level of IP 40, EN 60529.
- Burner with CE marking in conformity with EEC directives: EMC 89/336/EEC, Low Voltage 73/23/EEC, Machines 98/37/EEC and Efficiency 92/42/EEC.

Fig. 1



- | | |
|-------------------------------------|--------------------------------------|
| 1 – Oil pump | 5 – Screws fixing air-damper |
| 2 – Control-box | 6 – Flange with insulating gasket |
| 3 – Reset button with lock-out lamp | 7 – Combustion head adjustment screw |
| 4 – Hydraulic jack with air-damper | 8 – Grommet |

1.1 BURNER EQUIPMENT

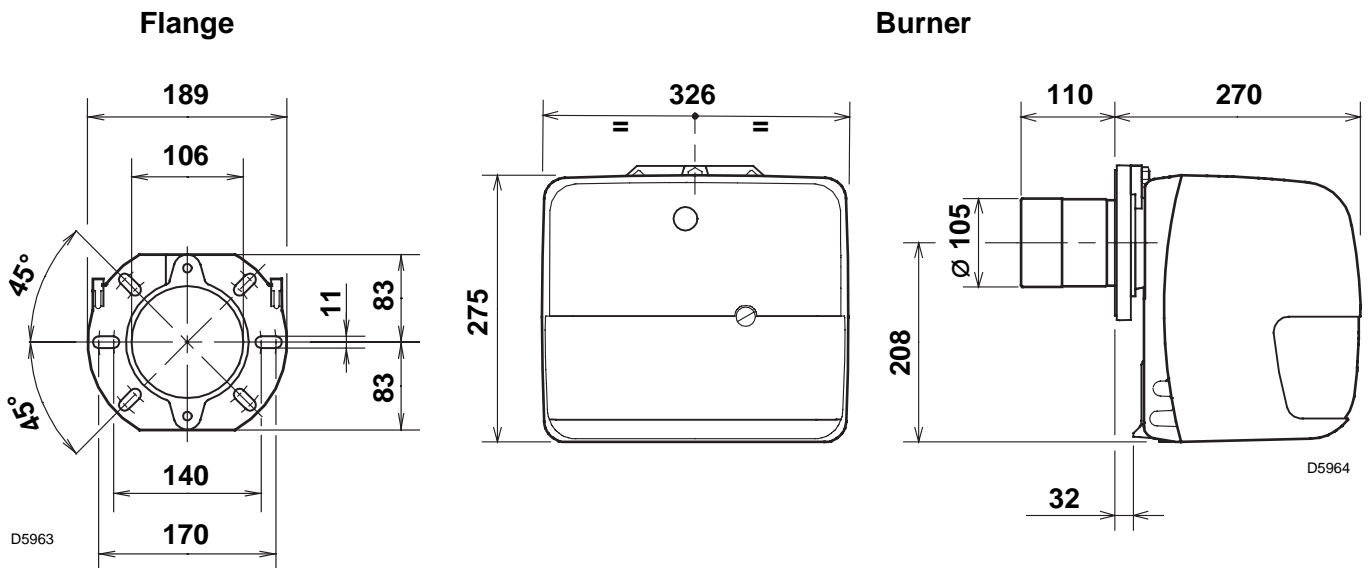
Flange with insulating gasket . . .	No. 1	Screw and nuts for flange to be fixed to boiler . .	No. 4
Screw and nuts for flange	No. 1	Flexible oil pipes with nipples	No. 2
Grommet	No. 1	7 pin plug	No. 1

2. TECHNICAL DATA

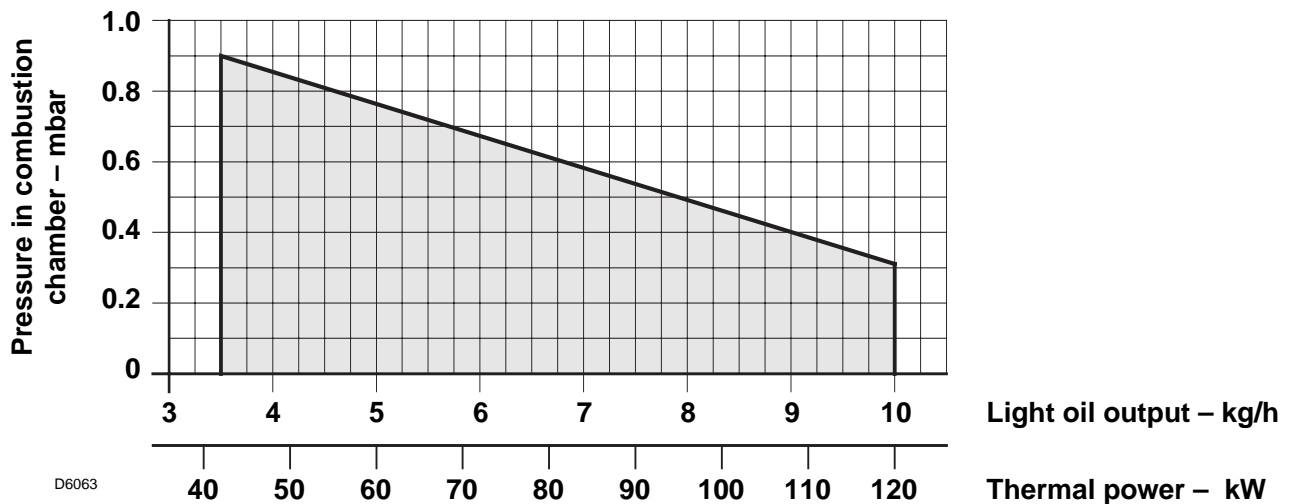
2.1 TECHNICAL DATA

Model	MACK 6
Output - Thermal power	3.5 – 10 kg/h - 42 – 120 kW
Fuel	Light oil, max. viscosity at 20°C: 6 mm ² /s
Electrical supply	Single phase, ~ 50Hz 230V ± 10%
Motor	Run current 0.80A - 2850 rpm - 298 rad/s
Capacitor	4 μF
Ignition transformer	Secondary 8 kV - 16 mA
Pump	Pressure: 7 – 15 bar
Absorbed electrical power	0.17 kW

2.2 OVERALL DIMENSIONS



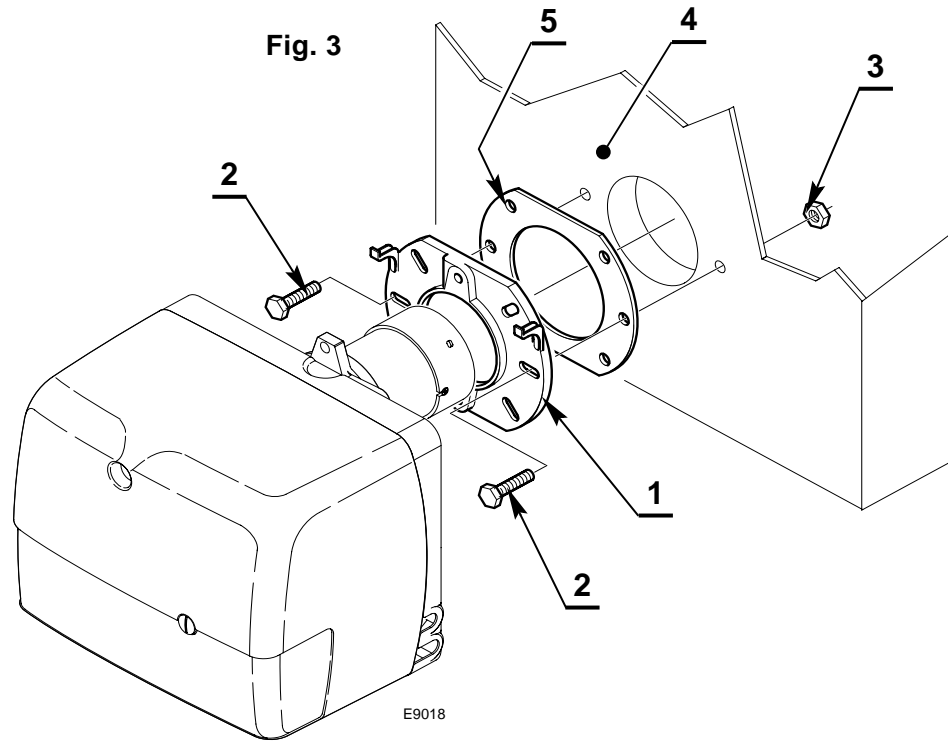
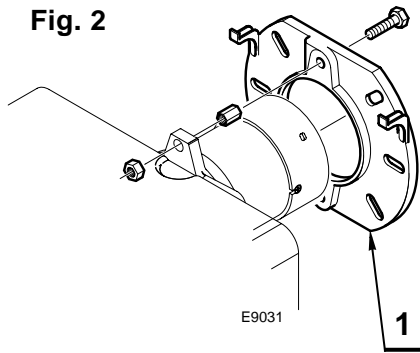
2.3 WORKING FIELD (as EN 267)



3. INSTALLATION

3.1 BOILER FIXING

- Put on the flange (1) the screw and two nuts, (see fig. 2).
- Widen, if necessary, the insulating gasket holes (5).
- Fix the flange (1) to the boiler door (4) using screws (2) and (if necessary) the nuts (3) **interposing the insulating gasket (5)**, (see fig. 3).

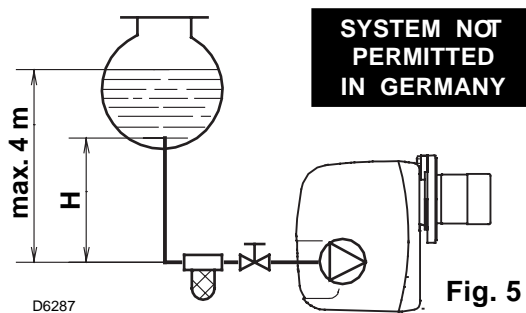


3.2 HYDRAULIC SYSTEMS

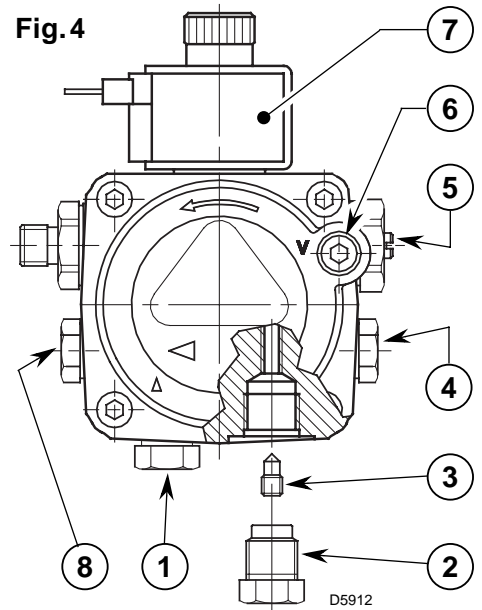
The burner is designed to allow entry of the flexible oil-lines on either side of the burner.

WARNING:

- It is necessary to install a filter on the fuel supply line. The standard filter code 6276200 and that one with recirculation code 6276201 are available on request.
- The pump is designed to allow working with two pipes. In order to obtain one pipe working it is necessary to unscrew the return plug (2), remove the by-pass screw (3) and then screw again the plug (2), (see fig. 4).
- Before starting the burner make sure that the return pipe-line is not clogged. An excessive back pressure would cause the damage of the pump seal.



H meters	L meters	
	I. D. 8 mm	I. D. 10 mm
0.5	10	20
1	20	40
1.5	40	80
2	60	100



- 1 - Suction line
- 2 - Return line
- 3 - By-pass screw
- 4 - Gauge connection
- 5 - Pressure adjuster
- 6 - Suction gauge connection
- 7 - Oil valve
- 8 - Auxiliary pressure test point

PRIMING PUMP:

On the system in fig. 5 it is sufficient to loosen the suction gauge connection (6, fig. 4) and wait until oil flows out.

On the systems in fig. 6 and 7 start the burner and wait for the priming. Should lock-out occur prior to the arrival of the fuel, await at least 20 seconds before repeating the operation.

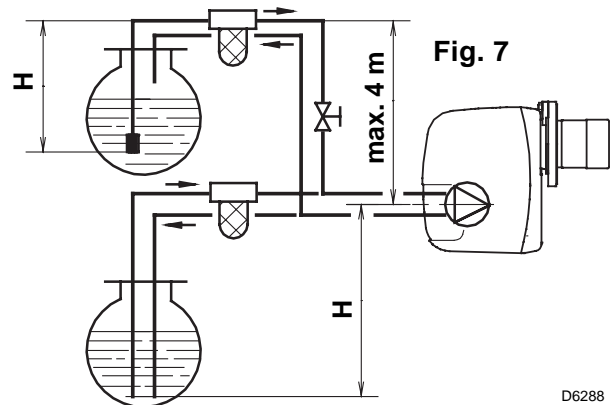
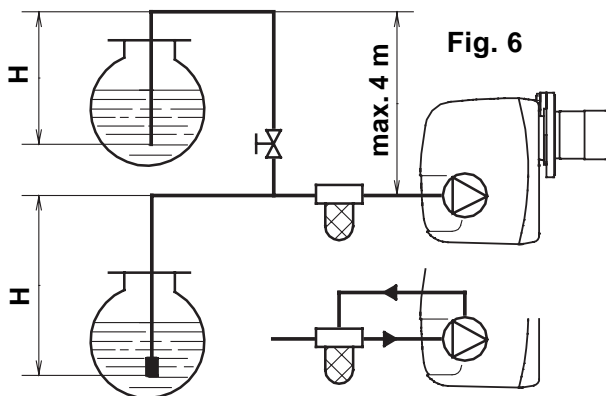
The pump suction should not exceed a maximum of 0.4 bar (30 cm Hg).

Beyond this limit gas is released from the oil. Oil pipes must be completely tight.

In the vacuum systems (fig. 7) the return line should terminate within the oil tank at the same level as the suction line. In this case a non-return valve is not required. Should however the return line arrive over the fuel level, a non-return valve is required.

This solution however is less safe than previous one, due to the possibility of leakage of the valve.

H meters	L meters	
	I. D. 8 mm	I. D. 10 mm
0	35	100
0.5	30	100
1	25	100
1.5	20	90
2	15	70
3	8	30
3.5	6	20



H = difference of level; L = max. length of the suction line; I. D. = internal diameter of the oil pipes.

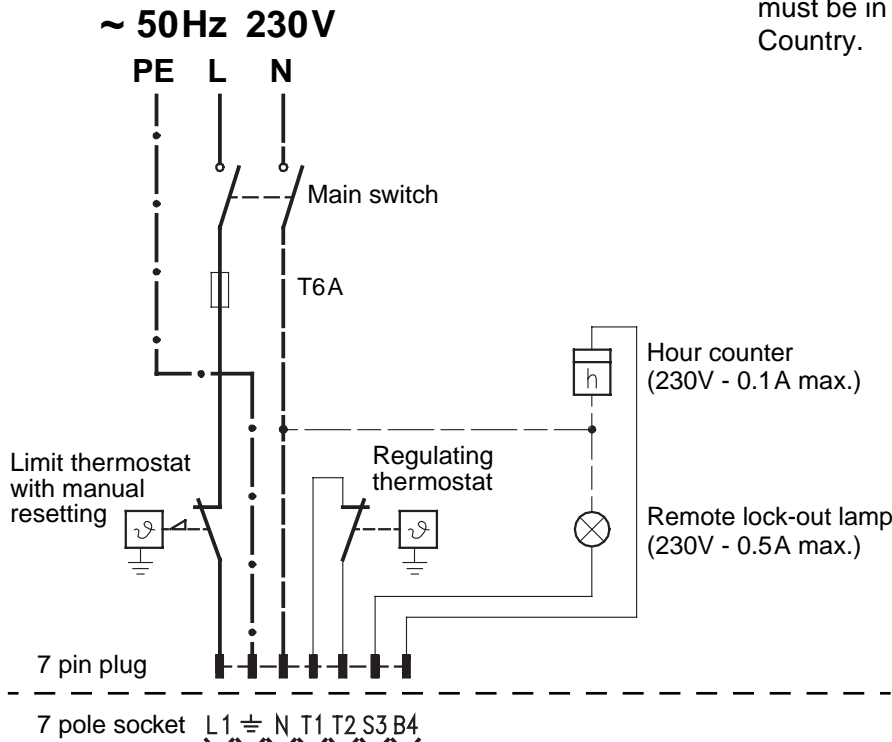
3.3 ELECTRICAL WIRING

WARNING

DO NOT EXCHANGE NEUTRAL WITH PHASE

NOTES:

- Wires of 1 mm² section.
- The electrical wiring carried out by the installer must be in compliance with the rules in force in the Country.



TESTING

Check the shut-down of the burner by opening the thermostats.

CONTROL BOX

To remove the control-box from the burner, loosen screw (A, fig. 8) and pull to the arrow direction, after removing all components, the 7 pin plug and earth wire.

CARRIED-OUT IN THE FACTORY

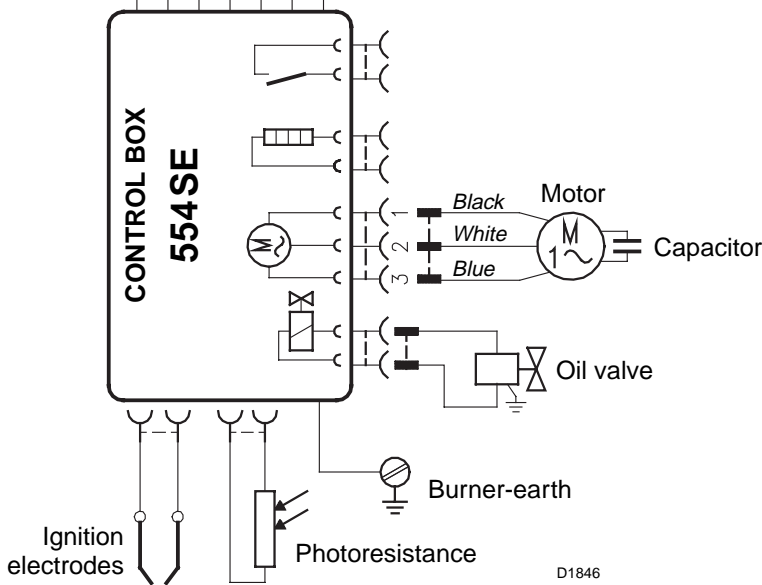


Fig. 8

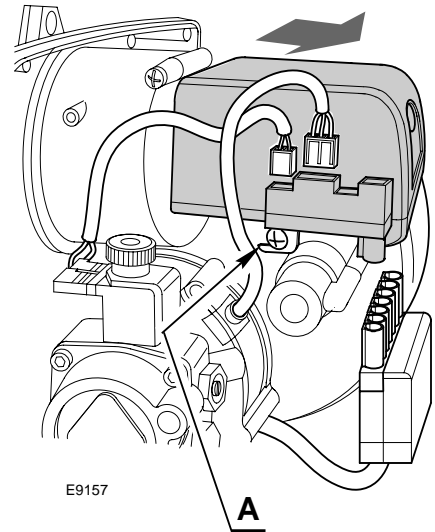
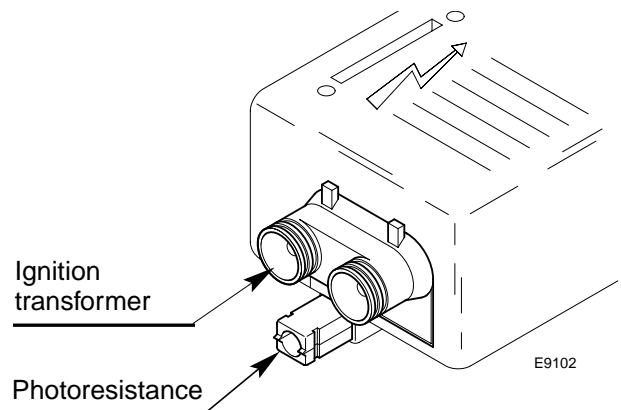


Fig. 9



ACCESS TO THE PHOTORESISTANCE

(See fig. 9)

The photoresistance is fitted directly into the control-box (underneath the ignition-transformer) on a plug-in support.

4. WORKING

4.1 COMBUSTION ADJUSTMENT

In conformity with Efficiency Directive 92/42/EEC the application of the burner on the boiler, adjustment and testing must be carried out observing the instruction manual of the boiler, including verification of the CO and CO₂ concentration in the flue gases, their temperatures and the average temperature of the water in the boiler. To suit the required appliance output, choose the proper nozzle and adjust the pump pressure, the setting of the combustion head, and the air damper opening in accordance with the following table.

■ ADJUSTMENTS FOR SIME BOILERS

The values shown in the table are measured on a SIME boiler (as per EN 267). They refer to 12.5% CO₂ at sea level and with light oil and room temperature of 20 °C.

BOILER	BURNER - Code 8099050 - Model MACK 6						
	▲	Nozzle		Pump pressure	Burner output	Combustion head adjustment	Air damper adjustment
		GPH	Angle	bar	kg/h ± 4%	Set-point	Set-point
Rondò-Estelle 6	▲	1.10	60° W	12	4.4	2.0	3.0
Rondò-Estelle 7		1.25	60° W	13	5.2	2.5	3.5
1R 6		1.50	60° B	12	6.0	3.0	3.5
1R 7		1.75	60° B	12	7.0	3.5	4.0
1R 8		1.75	60° B	14	7.6	4.0	5.0

▲ Burner adjustments carried out in factory.

In case of matching with a boiler different from the “Rondò-Estelle 6” model, for the adjustments follow what indicated in the table.

■ APPROXIMATE ADJUSTMENTS FOR INSTALLATION ON OTHER BOILERS

The values shown in the table are measured on a CEN boiler (as per EN 267). They refer to 12.5% CO₂ at sea level and with light oil and room temperature of 20 °C.

Nozzle		Pump pressure	Burner output	Combustion head adjustment	Air damper adjustment
GPH	Angle	bar	kg/h ± 4%	Set-point	Set-point
0.85	60°	12	3.4	1	2.1
1.00	60°	12	4.0	1.5	3.2
1.10	60°	12	4.4	2	3
1.25	60°	12	5.0	2	3.4
1.50	60°	12	6.0	3	3.4
1.75	60°	12	7.0	4	4.5
2.00	60°	12	8.0	5	5.2
2.25	60°	12	9.0	6	5.5
2.25	60°	14	9.8	6	6
2.50	60°	12	10.0	6	8

4.2 NOZZLES RECOMMENDED: Monarch type R ; Delavan type W - B
Steinen type S - Q ; Danfoss type S - B

For 2.00 – 250 GPH nozzle it is advisable to use, if possible, full cones.

4.3 MAINTENANCE POSITION

Access to the combustion head, electrodes and nozzle, (see fig. 10).

- Remove the burner out of the boiler, after loosing the fixing nut to the flange.
- Hook the burner to the flange (1), by removing the combustion head (2) after loosing the fixing screws (3).
- Remove the electrodes assembly (5) from the nozzle-holder (4) after loosing its fixing screw (B, fig. 11).
- Screw the nozzle (6).

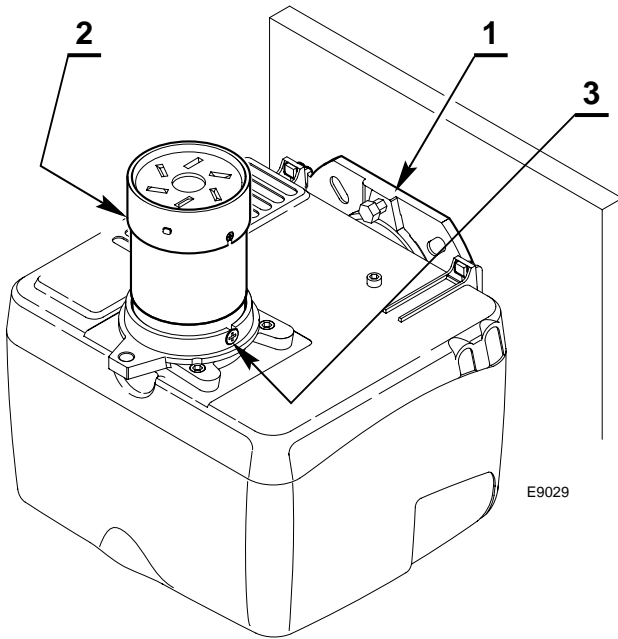
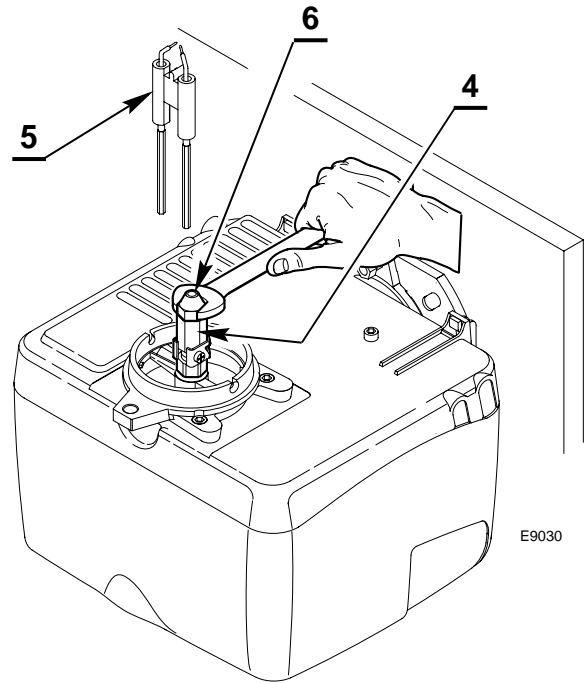


Fig. 10

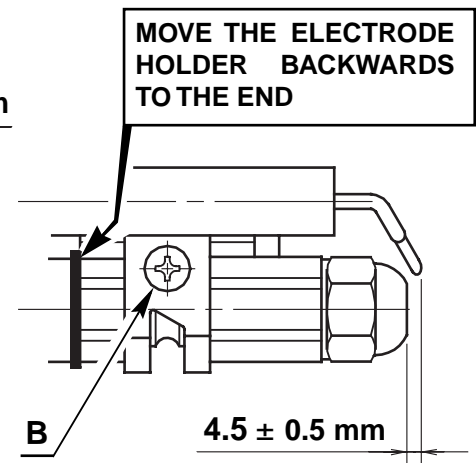
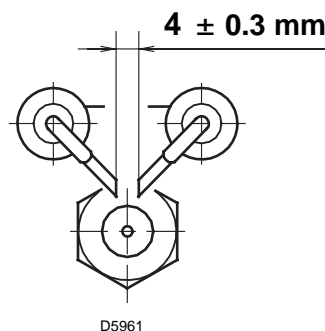


4.4 ELECTRODE SETTING

ATTENTION

Before removing or assembling the nozzle, loosen the screw (B, fig. 11) and move the electrodes ahead.

Fig. 11



4.5 COMBUSTION HEAD SETTING, (see fig. 12 and 13, page 8)

This is done when fitting the nozzle, with the blast tube removed. It depends on the output of the burner and is carried out by rotating the regulating rod, till the terminal plane of the blast tube is level with the set-point, as indicated in the schedule.

In the sketch on fig. 12, the combustion head is set for an output of 1.50 GPH at 12 bar, while the shutter is level with set-point 3, as required by the above schedule.

Combustion head settings indicated in the schedule are valid for most cases.

The setting of the fan output according to the installation should normally be done only through the air damper. Should one subsequently want to retouch also the setting of the combustion head, with the burner running, operate on the rod (1) with a 6 mm spanner (2), (see fig. 13).

TURN TO THE RIGHT: (sign +)

In order to increase the volume of air entering the combustion chamber and thus diminishing its pressure.

There is a reduction of CO₂ and the adhesion of the flame to the air diffuser disc improves.

(Setting advisable for ignitions at low temperatures).

TURN TO THE LEFT: (sign -)

In order to reduce the volume of air entering the combustion chamber and thus increasing its pressure. The CO₂ improves and the adhesion of the flame to the diffuser tends to reduce. (This setting is not advisable for ignitions at low temperatures). In any case do not bring the combustion head setting more than one point away from that indicated in the schedule. One set-point corresponds to 3 turns of the rod; a hole (3) at its end facilitates counting the number of turns.

4.6 AIR DAMPER ADJUSTMENT, (see fig. 14)

The mobile air damper (1) operated by the jack (2) assures the complete opening of the air intake.

The regulation of the air-rate is made by adjusting the fixed air damper (3), after loosening the screws (4). When the optimal regulation is reached, **screw tight the screws (4)** to assure a free movement of the mobile air damper (1).

The settings, indicated in the table at page 6, refer to the burner with its cover fitted and combustion chamber with depression zero.

These regulations are purely indicative. Each installation however, has its own unpredictable working conditions: actual nozzle output; positive or negative pressure in the combustion-chamber, the need of excess air, etc.

All these conditions may require a different air-damper setting.

It is important to take account of the fact that the air output of the fan differs according to whether the burner has its cover fitted or not.

Therefore we recommended to proceed as follows:

- Adjust the air damper as indicated in the table at page 6.
- Mount the cover.
- Check smoke number and CO₂.
- Should it become necessary to modify the air output, remove the cover by loosening the screw, adjust the air damper, remount the cover and finally recheck the smoke number.

4.7 PUMP PRESSURE

12 bar: The pump leaves the factory set at this value.

14 bar: Improves flame retention; it is therefore suitable for ignitions at low temperatures.

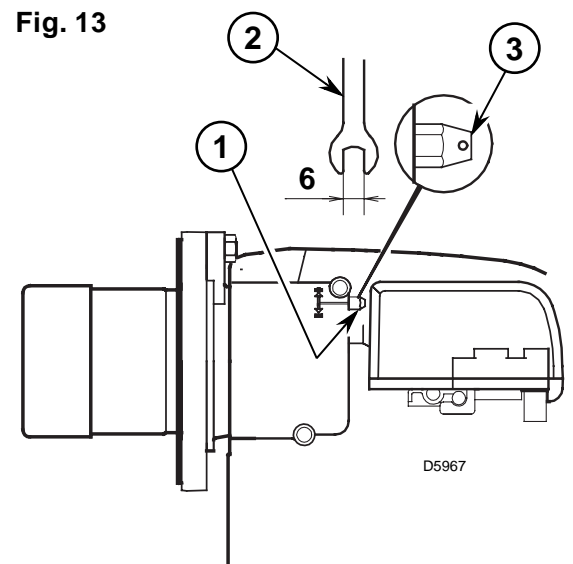
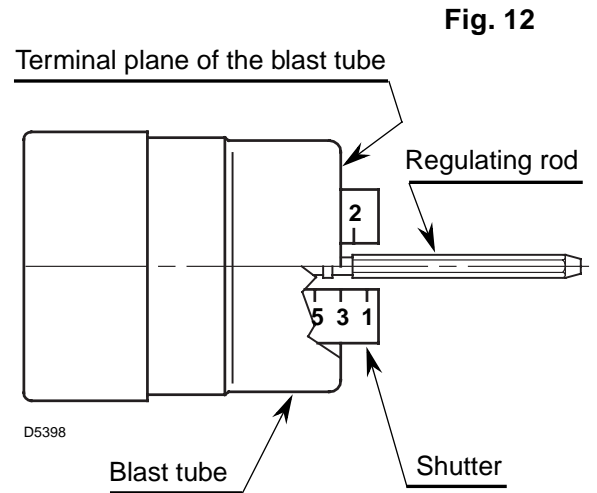
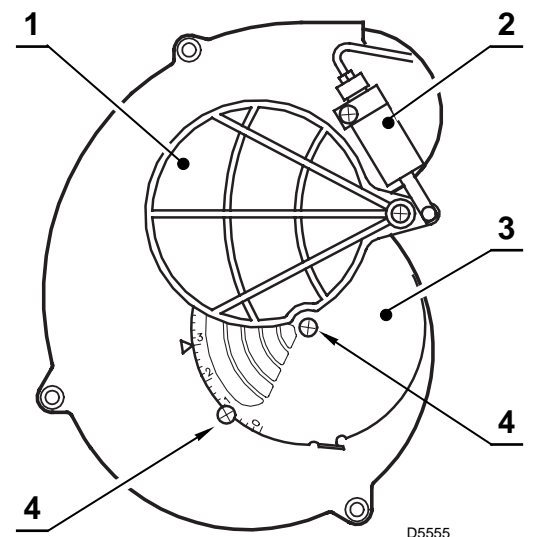
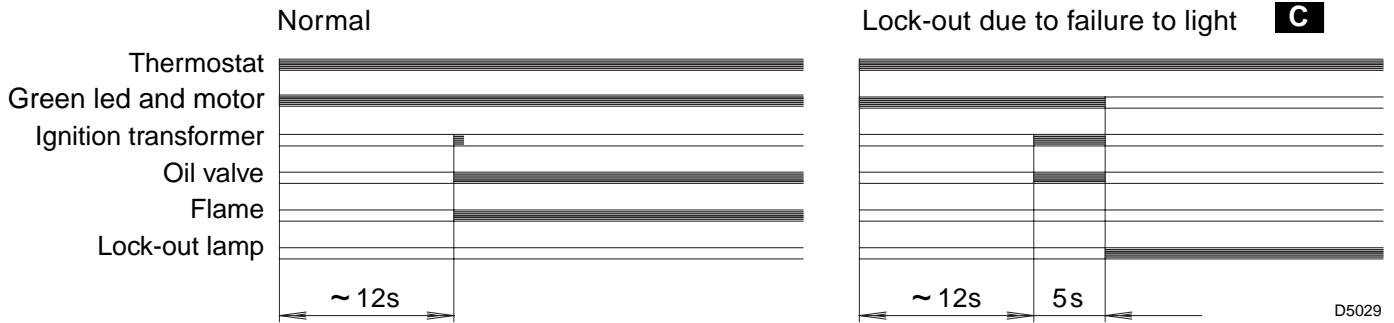


Fig. 14



4.8 BURNER START-UP CYCLE



C Lock out is indicated by a lamp on the control box (3, fig. 1, page 1).

4.9 ADJUSTMENTS, TO AVOID FLAME - DETACHMENT, AT BURNER - IGNITION

This inconvenience can occur, when the temperature of the gas-oil decreases below +5 °C.

1) **CORRECT POSITIONING OF THE ELECTRODES, (see fig. 11, page 7).**

2) **PUMP - SETTING**

The pump is factory set, at a pressure of 12 bar.

When the temperature of the gas-oil decreases below +5 °C, increase the pressure to 14 bar.

3) **COMBUSTION-HEAD SETTING**

Regulate the combustion-head one set-point further ahead than indicated in the instructions.

Example: the instructions require to set the combustion-head on set-point 3.

Instead, the setting is made on set-point 4.

4) **FAN - AIR DAMPER ADJUSTMENT**

Adjust the air damper of the fan, such as to obtain a smoke-number not inferior to 1.
(i.e. a combustion with the lowest possible excess-air).

5. MAINTENANCE

Burner requires a periodic maintenance carried out by a qualified and authorized technicians.

Maintenance is essential for the reliability of the burner, avoiding the excessive consumption of fuel and consequent pollution.

Before carrying out any cleaning or control always first switch off the electrical supply to the burner acting on the main switch of the system.

THE BASIC CHECKS ARE:

- Check that there are not obstructions or dents in the supply or return oil pipes.
- Clean the filter in the oil suction line and in the pump.
- Clean the photoresistance, (see fig. 9, page 5).
- Check for correct fuel consumption.
- Replace the nozzle (see fig. 10, page 7) and check the correct position of electrodes (fig. 11, page 7).
- Clean the combustion head in the fuel exit area, on the diffuser disc.
- Leave the burner working without interruptions for 10 min. and set rightly all the components stated in this manual. Then carry out a combustion check verifying:
 - Smoke temperature at the chimney;
 - Content of CO₂ (%);
 - Content of CO (ppm);
 - Smoke value according to opacity smokes index according to Bacharach scale.

6. FAULTS / SOLUTIONS

Here below you can find some causes and the possible solutions for some problems that could cause a failure to start or a bad working of the burner.

A fault usually makes the lock-out lamp light which is situated inside the reset button of the control box (3, fig. 1, page 1).

When lock out lamp lights the burner will attempt to light only after pushing the reset button. After this if the burner functions correctly, the lock-out can be attributed to a temporary fault.

If however the lock out continues the cause must be determined and the solution found.

FAULTS	POSSIBLE CAUSES	SOLUTION
The green led on the control box is off and the burner does not start.	Lack of electrical supply.	Check presence of voltage in the L1 - N clamps of the 7 pin plug.
		Check the conditions of the fuses.
		Check that thermostat limit is not lock out.
	The connections in the control box are wrongly inserted.	Check and connect completely all the plugs.
The green led on the control box is on and the burner remains in the pre-purge phase.	The photoresistance sees false light.	Eliminate the light.
Burner runs normally in the pre-purge and ignition cycle and locks out after 5 seconds ca.	The photoresistance is dirty.	Clear it.
	The photoresistance is defective.	Change it.
	Flame moves away or fails.	Check pressure and output of the fuel.
		Check air output.
		Change nozzle.
Check the coil of solenoid valve.		
Burner starts with an ignition delay.	The ignition electrodes are wrongly positioned.	Adjust them according to the instructions of this manual.
	Air output is too high.	Set the air output according to the instructions of this manual.
	Nozzle dirty or worn.	Replace it.

WARNING

The manufacturer cannot accept responsibility for any damage to persons, animals or property due to error in installation or in the burner adjustment, or due to improper or unreasonable use or non observance of the technical instruction enclosed with the burner, or due to the intervention of unqualified personnel.

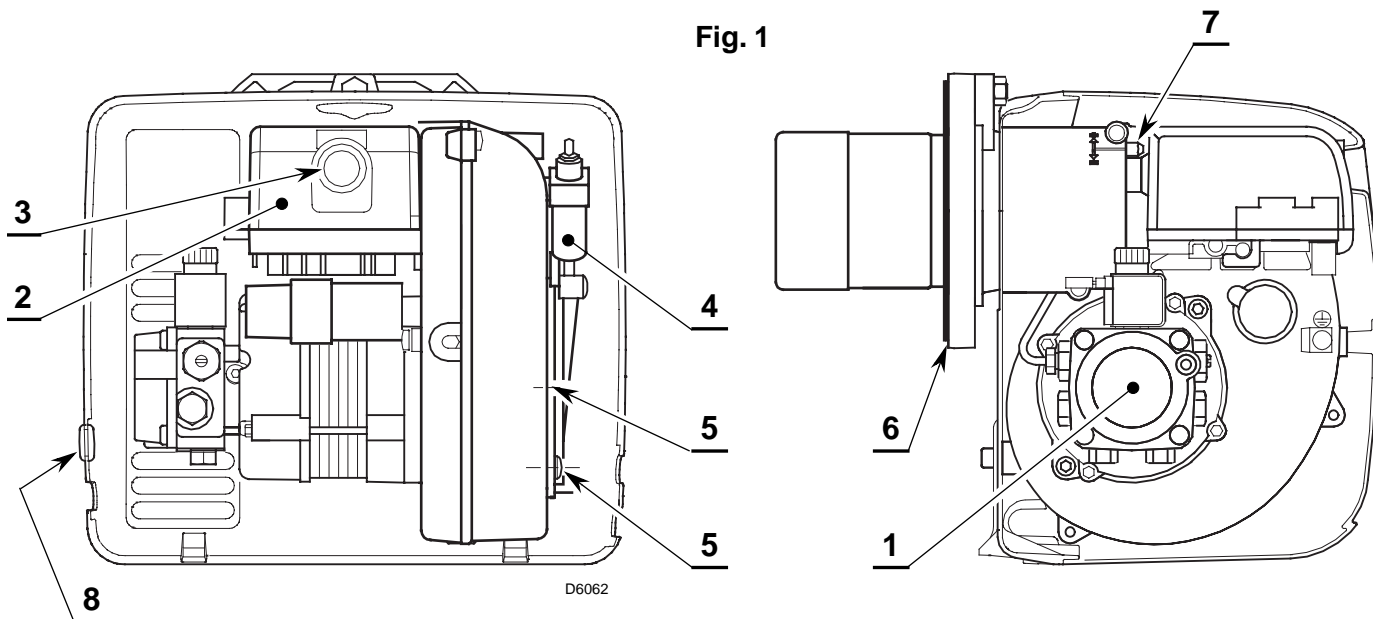
SOMMAIRE

1. DESCRIPTION DU BRULEUR	1	4.2 Gicleurs conseillés	6
1.1 Matériel fourni	1	4.3 Position d'entretien.	7
2. DONNEES TECHNIQUES	2	4.4 Positionnement des électrodes	7
2.1 Données techniques	2	4.5 Réglage tête de combustion	7
2.2 Dimensions	2	4.6 Réglage volet d'air	8
2.3 Plaque de travail	2	4.7 Pression de la pompe	8
3. INSTALLATION	3	4.8 Programme de mise en marche.	9
3.1 Fixation à la chaudière	3	4.9 Réglages pour éviter le décrochage de la flamme au démarrage du brûleur . .	9
3.2 Installations hydrauliques	4	5. ENTRETIEN	9
3.3 Raccordements électriques	5	6. PANNES / REMEDES	10
4. FONCTIONNEMENT	6		
4.1 Réglage de la combustion	6		

1. DESCRIPTION DU BRULEUR

Brûleur de fioul domestique à fonctionnement à une allure.

- Brûleur conforme au degré de protection IP 40 selon EN 60529.
- Brûleur avec label CE conformément aux directives CEE: EMC 89/336/CEE, Basse Tension 73/23/CEE, Machines 98/37/CEE et rendement 92/42/CEE.



- | | |
|---|------------------------------------|
| 1 – Pompe fioul | 5 – Vis blocage volet d'air |
| 2 – Boîte de commande et de contrôle | 6 – Bride avec joint isolant |
| 3 – Bouton de réarmement avec signalisation de sécurité | 7 – Vis réglage tête de combustion |
| 4 – Vérin volet d'air | 8 – Presse-étoupe |

1.1 MATERIEL FOURNI

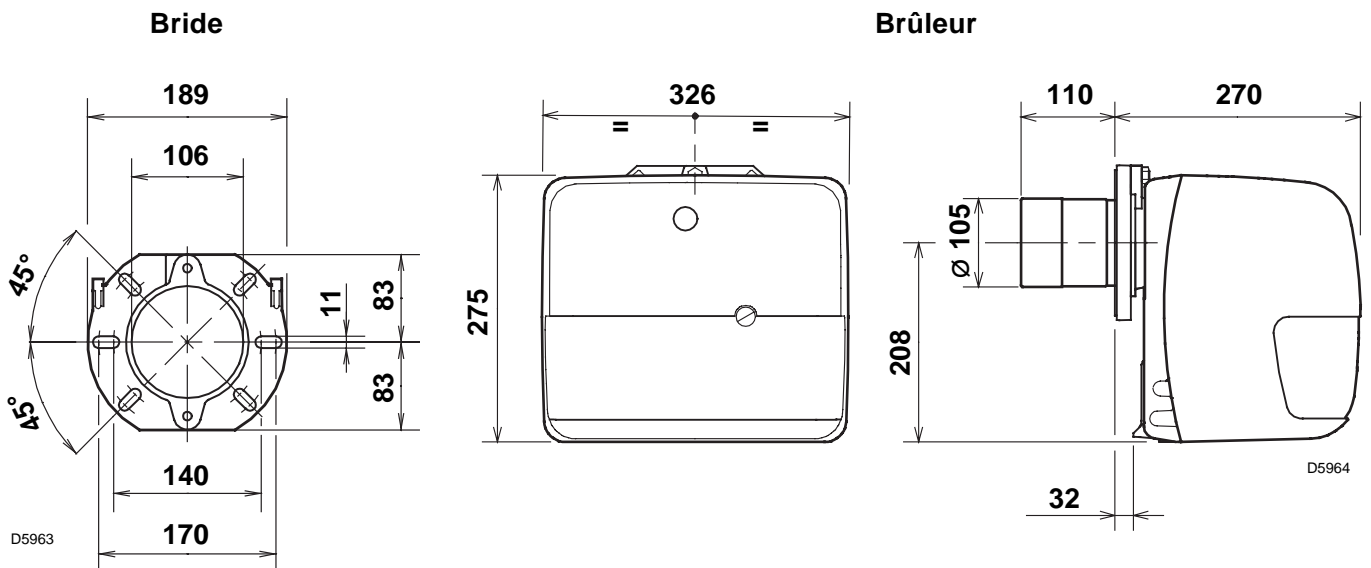
Bride avec joint isolant	N° 1	Vis et écrous pour bride de montage sur la chaudière .	N° 4
Vis et écrous pour bride	N° 1	Flexibles avec nipples	N° 2
Presse-étoupe.	N° 1	Fiche à 7 pôles	N° 1

2. DONNEES TECHNIQUES

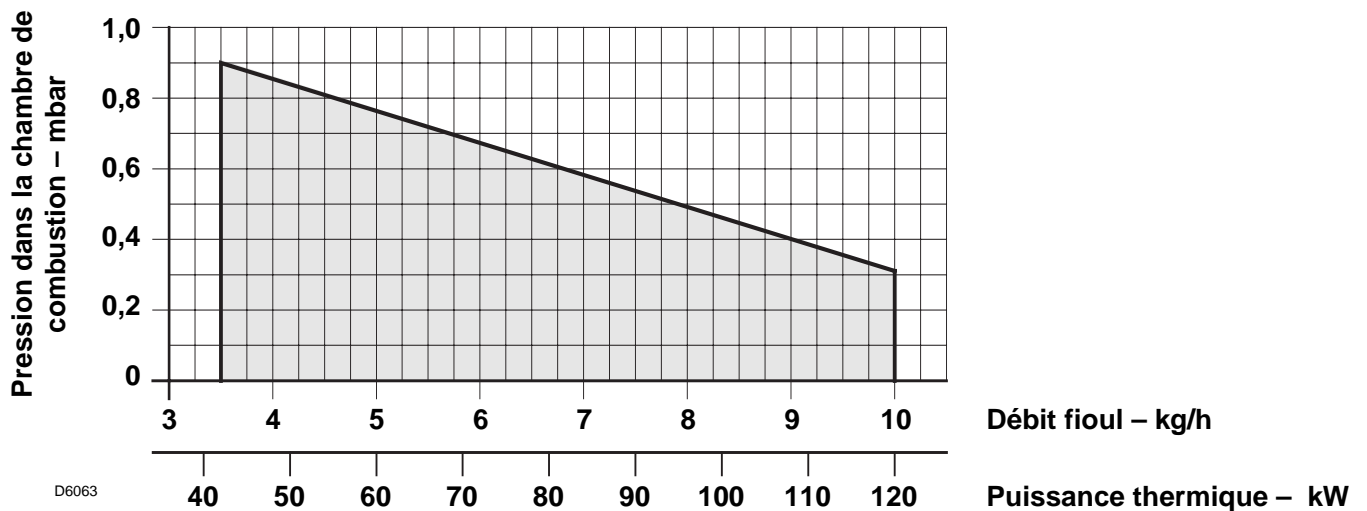
2.1 DONNEES TECHNIQUES

Modèle	MACK 6
Débit - Puissance thermique	3,5 ÷ 10 kg/h – 42 ÷ 120 kW
Combustible	Fioul domestique, viscosité max. à 20°C: 6 mm ² /s
Alimentation électrique	Monophasée, ~ 50Hz 230V ± 10%
Moteur	0,80A absorbés – 2850 t/min – 298 rad/s
Condensateur	4 µF
Transformateur d'allumage	Secondaire 8 kV – 16 mA
Pompe	Pression: 7 ÷ 15 bar
Puissance électrique absorbée	0,17 kW

2.2 DIMENSIONS



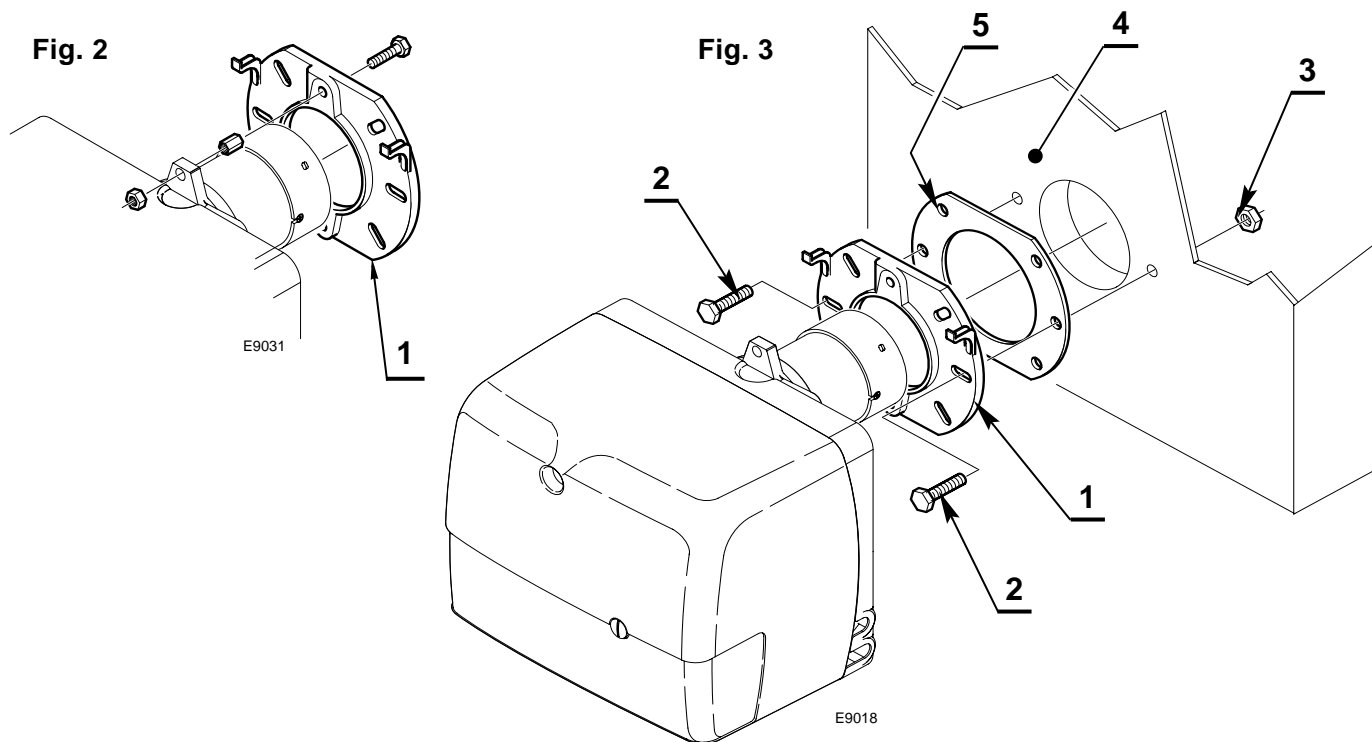
2.3 PLAGE DE TRAVAIL (selon EN 267)



3. INSTALLATION

3.1 FIXATION A LA CHAUDIERE

- Insérer sur la bride (1) la vis et deux écrous, (voir fig. 2).
- Elargir, si nécessaire, les trous dans le joint isolant (5).
- Fixer sur la plaque de la chaudière (4) la bride (1) par l'intermédiaire des vis (2) et (si nécessaire) des écrous (3) en **interposant le joint isolant (5)**, (voir fig. 3).

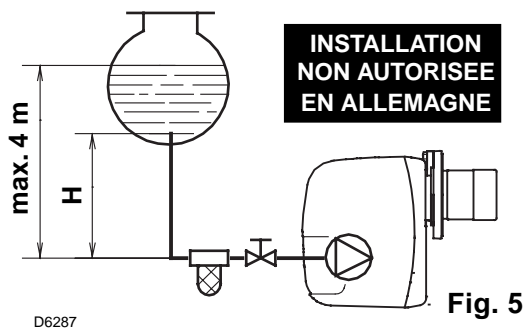


3.2 INSTALLATIONS HYDRAULIQUES

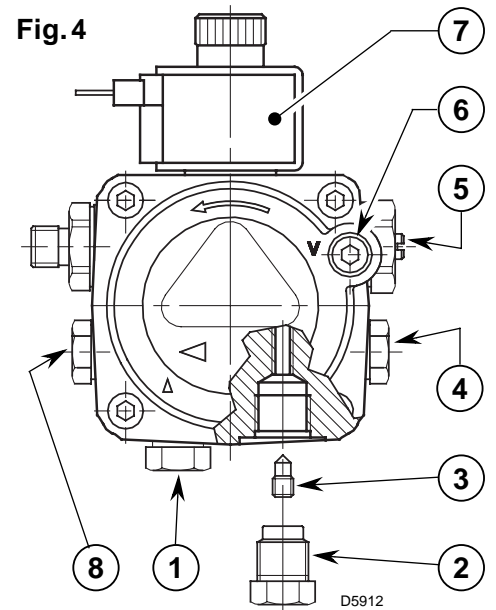
Le brûleur est prévu pour recevoir les tubes d'alimentation du fuel d'un côté ou de l'autre.

IMPORTANT:

- Il est nécessaire d'installer un filtre sur la ligne d'alimentation du combustible. **Sont disponibles sur demande un filtre standard, code 6276200 ou un filtre à recyclage, code 6276201.**
- La pompe est prévue pour un fonctionnement en bitube. Pour le fonctionnement en mono-tube, il faut dévisser le bouchon de retour (2), enlever la vis de by-pass (3) et ensuite revisser le bouchon (2), (voir fig. 4).
- Avant de mettre en fonction le brûleur il faut s'assurer que le tube de retour du combustible ne soit pas obstrué. Une contre-pression excessive provoquerait la rupture de l'organe d'étanchéité de la pompe.



H mètres	L mètres	
	ø i 8 mm	ø i 10 mm
0,5	10	20
1	20	40
1,5	40	80
2	60	100



- 1 - Aspiration
- 2 - Retour
- 3 - Vis de by-pass
- 4 - Raccord manomètre
- 5 - Régulateur de pression
- 6 - Raccord vacuomètre
- 7 - Vanne
- 8 - Prise de pression auxiliaire

AMORÇAGE DE LA POMPE:

Dans l'installation en fig. 5, il faut desserrer le raccord du vacuomètre (6, fig. 4) jusqu'à la sortie du combustible.

Dans les installations en fig. 6 et 7, mettre en marche le brûleur et attendre l'amorçage.

Si la mise en sécurité se produit avant l'arrivée du combustible, attendre au moins 20 secondes, puis recommencer cette opération.

Il ne faut pas dépasser la dépression max. de 0,4 bar (30 cm Hg).

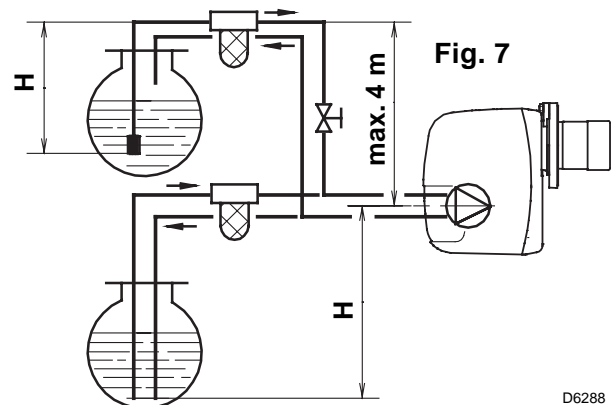
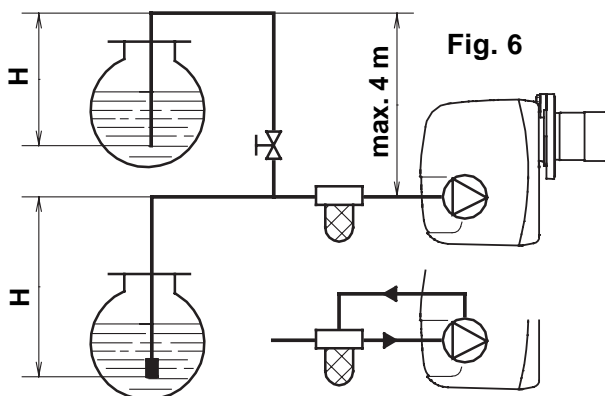
Au-dessus de cette valeur, il y a dégazage du combustible.

Les tuyauteries doivent être parfaitement étanches.

Dans les installations par dépression (fig. 7), la tuyauterie de retour doit arriver à la même hauteur que celle d'aspiration. Dans ce cas il n'y a pas besoin de clapet de pied. Dans le cas contraire, le clapet de pied est indispensable.

Cette deuxième solution est moins sûre que la précédente en raison du manque d'étanchéité éventuel de ce clapet.

H mètres	L mètres	
	ø i 8 mm	ø i 10 mm
0	35	100
0,5	30	100
1	25	100
1,5	20	90
2	15	70
3	8	30
3,5	6	20

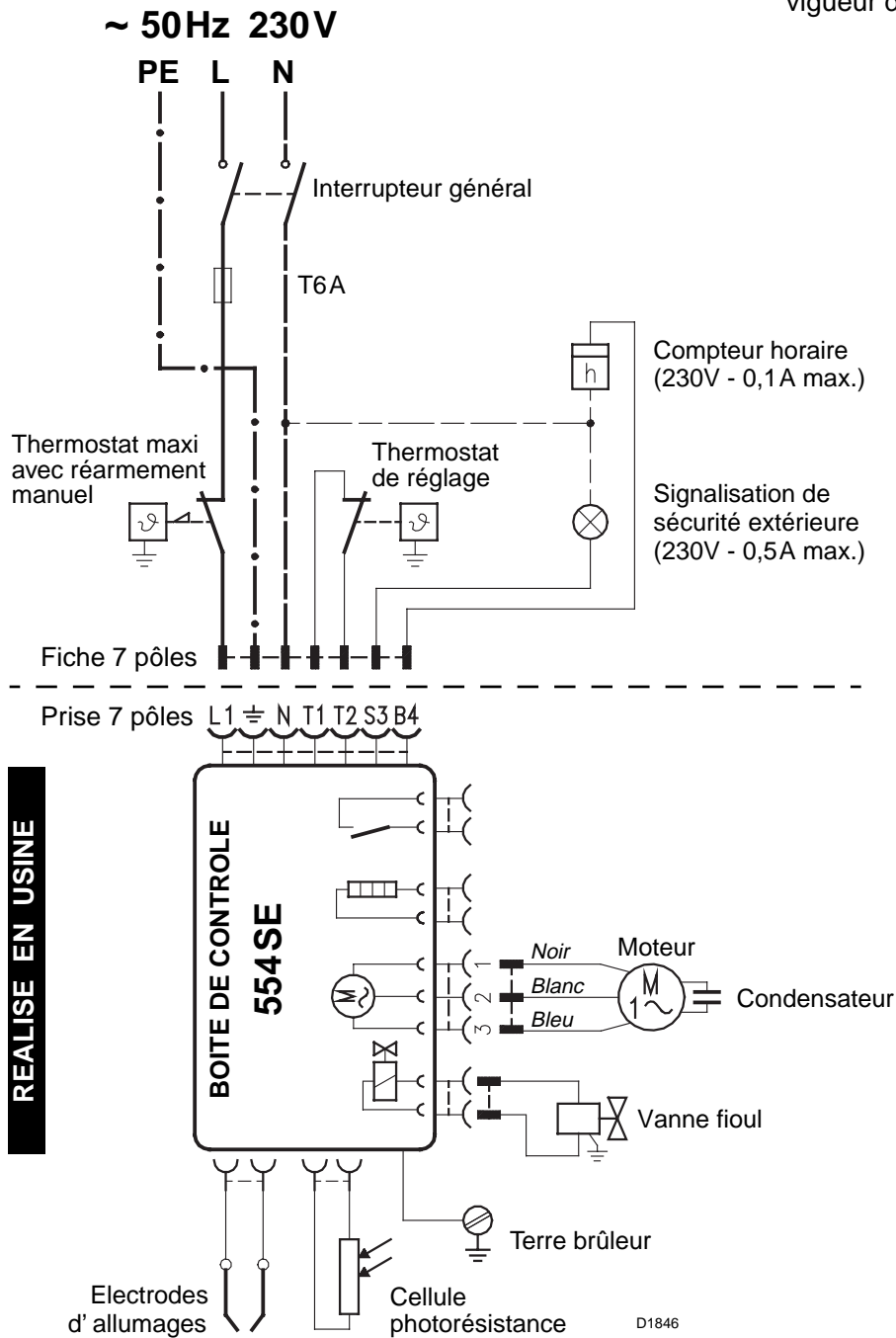


H = différence de niveau; L = longueur maximum du tube d'aspiration; ø i = diamètre interne du tube.

3.3 RACCORDEMENTS ELECTRIQUES

ATTENTION

NE PAS INVERSER LE NEUTRE AVEC LA PHASE



NOTES:

- Section conducteurs 1 mm².
- Les branchements électriques exécutés par l'installateur doivent respecter le règlement en vigueur dans le Pays.

VERIFICATION

Vérifier l'arrêt du brûleur à l'ouverture des thermostats.

BOITE DE CONTROLE

Pour enlever la boîte de contrôle du brûleur, dévisser la vis (A, fig. 8) et tirer du côté de la flèche, après avoir débranché tous les composants, la fiche 7 pôles et le fil de terre.

Fig. 8

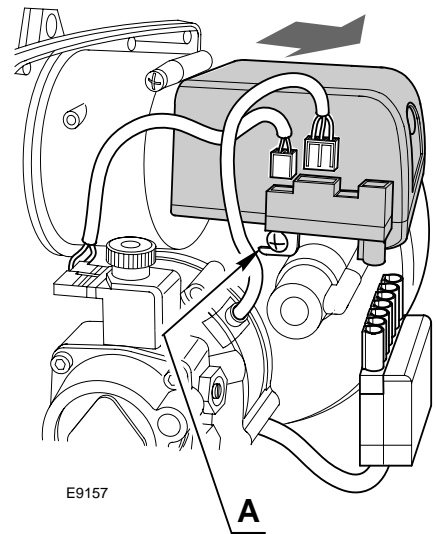
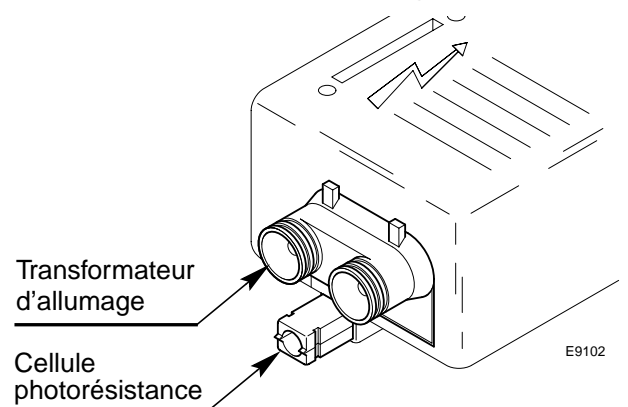


Fig. 9



ACCES À LA CELLULE PHOTORESISTANCE (Voir fig. 9)

La cellule photorésistance est montée directement sur la boîte de contrôle (au-dessous du transformateur d'allumage) sur un support à embrochage rapide.

4. FONCTIONNEMENT

4.1 REGLAGE DE LA COMBUSTION

Conformément à la Directive rendement 92/42/CEE, suivre les indications du manuel de la chaudière pour monter le brûleur, effectuer le réglage et l'essai, contrôler la concentration de CO et CO₂, dans les fumées, leur température et celle moyenne de l'eau de la chaudière.

Selon le débit nécessaire par la chaudière, il faut déterminer le gicleur, la pression de la pompe, le réglage de la tête de combustion et le réglage du volet d'air, selon le tableau ci-dessous.

■ REGLAGE POUR CHAUDIERE SIME

Les valeurs indiquées sur le tableau sont obtenues sur une chaudière SIME (selon EN 267).

Elles se réfèrent à 12,50% de CO₂, au niveau de la mer, avec une température ambiante et du fioul de 20 °C.

CHAUDIÈRE	BRÛLEUR - Code 8099050 - Modèle MACK 6						
	▲	Gicleur		Pression pompe	Débit brûleur	Réglage tête combustion	Réglage volet d'air
		GPH	Angle	bar	kg/h ± 4%	Index	Index
Rondò-Estelle 6	▲	1,10	60° W	12	4,4	2,0	3,0
Rondò-Estelle 7		1,25	60° W	13	5,2	2,5	3,5
1R 6		1,50	60° B	12	6,0	3,0	3,5
1R 7		1,75	60° B	12	7,0	3,5	4,0
1R 8		1,75	60° B	14	7,6	4,0	5,0

▲ Réglage du brûleur, fait en usine.

Si le brûleur est combiné avec une chaudière autre que "Rondò-Estelle 6", consultez les réglages repris dans le tableau.

■ REGLAGE INDICATIF POUR INSTALLATION SUR AUTRES CHAUDIERES

Les valeurs indiquées sur le tableau sont obtenues sur une chaudière CEN (selon EN 267).

Elles se réfèrent à 12,50% de CO₂, au niveau de la mer, avec une température ambiante et du fioul de 20 °C.

Gicleur		Pression pompe	Débit brûleur	Réglage tête combustion	Réglage volet d'air
GPH	Angle	bar	kg/h ± 4%	Index	Index
0,85	60°	12	3,4	1	2,1
1,00	60°	12	4,0	1,5	3,2
1,10	60°	12	4,4	2	3
1,25	60°	12	5,0	2	3,4
1,50	60°	12	6,0	3	3,4
1,75	60°	12	7,0	4	4,5
2,00	60°	12	8,0	5	5,2
2,25	60°	12	9,0	6	5,5
2,25	60°	14	9,8	6	6
2,50	60°	12	10,0	6	8

4.2 GICLEURS CONSEILLÉS: Monarch type R ; Delavan type W - B
Steinen type S - Q; Danfoss type S - B

Pour gicleur avec débit 2,00 ÷ 2,50 GPH utiliser, si possible, cônes pleins.

4.3 POSITION D'ENTRETIEN

Accès à la tête de combustion, aux électrodes et au gicleur, (voir fig. 10).

- Enlever le brûleur de la chaudière, en enlevant l'écrou de fixation à la bride.
- Accrocher le brûleur à la bride (1), enlever la tête de combustion (2) après avoir desserré les vis (3).
- Enlever de la ligne porte gicleur (4) le groupe électrodes (5) après avoir desserré la vis (B, fig. 11).
- Visser le gicleur (6).

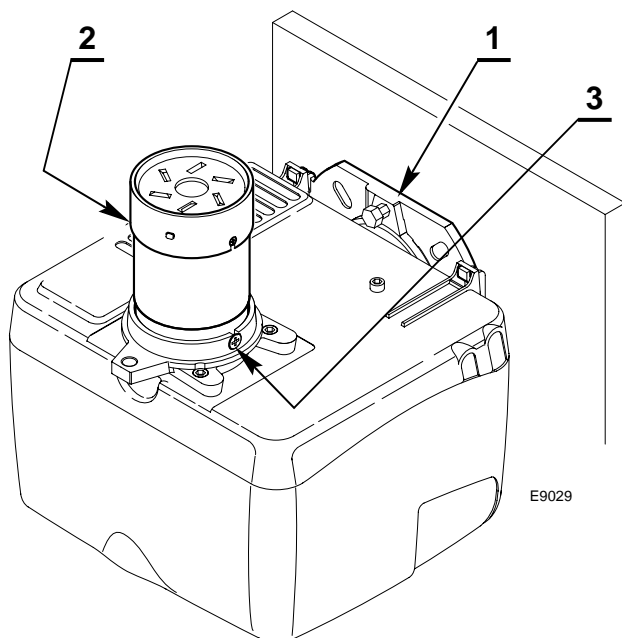
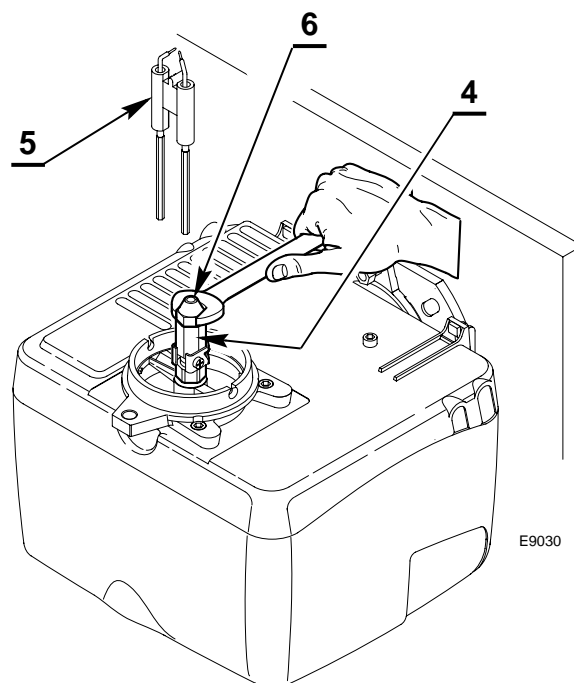


Fig. 10

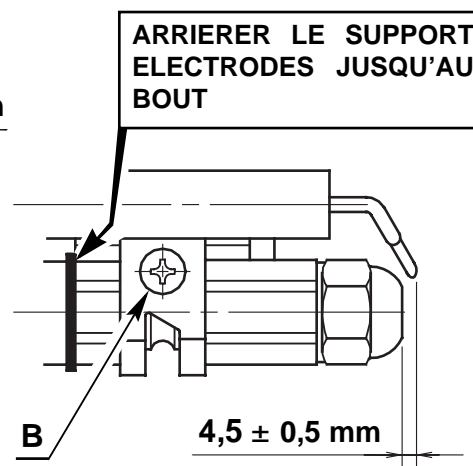
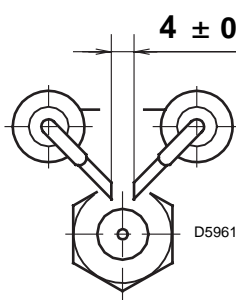


4.4 POSITIONNEMENT DES ELECTRODES

ATTENTION

Avant de démonter ou monter le gicleur, desserrer la vis (B, fig. 11) et avancer les électrodes.

Fig. 11



4.5 REGLAGE TETE DE COMBUSTION, (voir fig. 12 et 13, page 8)

Il est fait, au moment du montage du gicleur, avec gueulard démonté. Il dépend du débit du brûleur et on l'obtient en tournant la tige de réglage, jusqu'à ce que le plan terminal du gueulard concorde avec l'encoche indiquée dans le tableau.

Dans le dessin de fig. 12, la tête est réglée pour un débit de 1,50 GPH à 12 bar. L'obturateur est en effet dans la position 3, comme indiqué dans le tableau.

Les réglages de la tête de combustion indiqués dans le tableau sont valables dans la majorité des cas.

L'adaptation du débit du ventilateur à l'installation n'est faite, normalement, que par le volet d'air.

Dans le cas où il serait nécessaire de retoucher, brûleur fonctionnant, aussi le réglage de la tête de combustion, agir sur la tige (1) au moyen d'une clef de 6 mm (2), (voir fig. 13).

TOURNER VERS LA DROITE: (signe +)

Pour augmenter la quantité d'air introduite dans la chambre de combustion et réduire la pression à la tête. La quantité de CO₂ baisse et l'accrochage de la flamme s'améliore. (*Réglage indiqué pour des allumages à basse température*).

TOURNER VERS LA GAUCHE: (signe -)

Pour réduire la quantité d'air introduite dans la chambre de combustion et augmenter la pression à la tête. La quantité de CO₂ s'améliore et l'accrochage de la flamme se réduit. (*Réglage déconseillé pour des allumages à basse température*).

En tous cas, le réglage de la tête de combustion ne doit pas s'écarter de plus d'une encoche de la valeur indiquée dans le tableau. Chaque encoche correspond à trois tours de la tige. Un trou (3) à son extrémité aide à compter les tours.

4.6 REGLAGE VOLET D'AIR, (voir fig. 14)

Le volet d'air mobile (1), commandé par le vérin (2), donne l'ouverture complète de la boîte d'aspiration de l'air.

La régulation du débit se fait par le volet fixe (3), après avoir desserré les vis (4).

Une fois obtenue la régulation optimale, **bloquer le volet d'air par les vis (4)**; il faut les visser complètement pour assurer le libre mouvement du volet mobile (1).

Les réglages reproduits dans le tableau à page 6, se réfèrent au brûleur avec capot monté et dépression zéro; ils sont purement indicatifs.

Chaque installation a des conditions de fonctionnement propres, qu'on ne peut pas prévoir: débit effectif du gicleur, pression ou dépression dans la chambre de combustion, excès d'air nécessaire, etc. . . Toutes ces conditions peuvent exiger un réglage divers du volet d'air.

Il est important de tenir compte que l'air soufflé par le ventilateur diffère selon que le capot est monté ou non sur le brûleur.

Il faut donc procéder comme suit:

- Régler le volet d'air comme indiqué dans le tableau à page 6.
- Monter le capot.
- Contrôler l'indice de noircissement et CO₂.
- S'il est nécessaire, varier le débit d'air, desserrer la vis du capot, enlever ce dernier, agir sur le volet d'air, remonter le capot et alors reconstrôler l'indice de noircissement.

4.7 PRESSION DE LA POMPE

12 bar: La pompe sort de l'usine calibrée à cette valeur.

14 bar: Améliore l'accrochage de la flamme. Indiquée pour allumages à basse température.

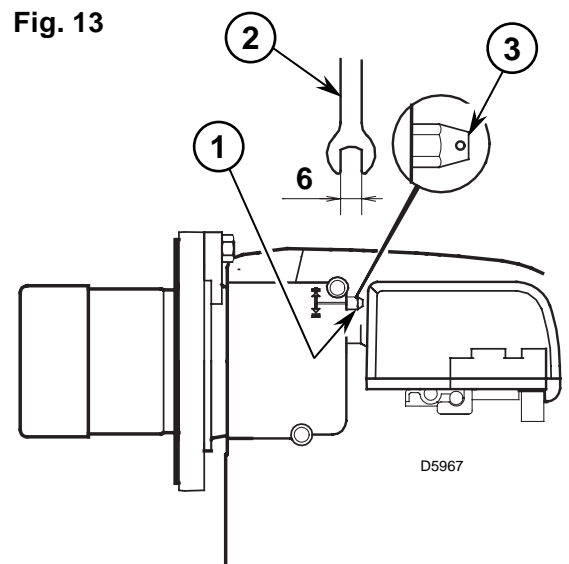
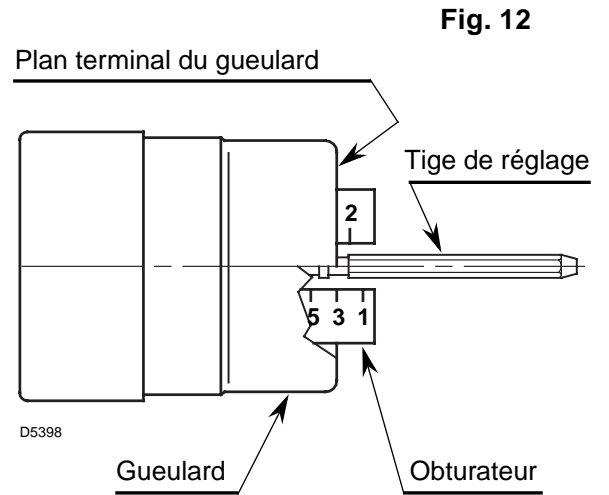
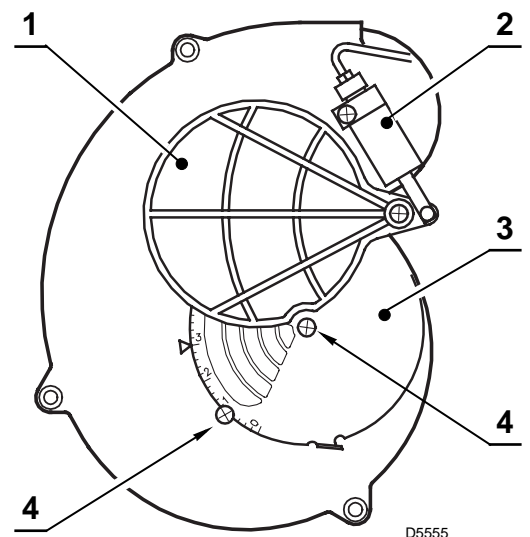
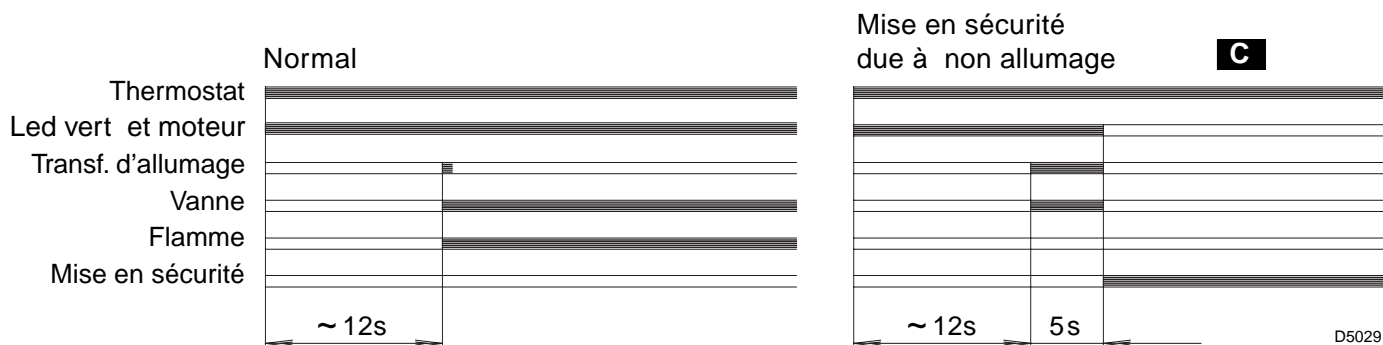


Fig. 14



4.8 PROGRAMME DE MISE EN MARCHÉ



C Signalée par l'allumage du signal sur le bouton de réarmement manuel de la boîte de commande et de contrôle (3, fig. 1, page 1).

4.9 REGLAGES POUR EVITER LE DECROCHAGE DE LA FLAMME AU DEMARRAGE DU BRULEUR

Cet inconvénient est possible quand la température du F.O.D. descend au-dessous de +5 °C.

1) **POSITION CORRECTE DES ELECTRODES, (voir fig. 11, page 7).**

2) **REGLAGE DE LA POMPE**

La pompe sort d'usine réglée à une pression de 12 bar.

Quand la température du F.O.D. descend au-dessous de +5 °C, augmenter la pression à 14 bar.

3) **REGLAGE TETE DE COMBUSTION**

Régler la tête sur un repère plus en avant de celui prévu dans la notice technique.

Exemple: dans la notice technique est prévu de régler la tête sur le repère 3.

Le réglage, au contraire, doit être fait sur le repère 4.

4) **REGLAGE DU VOLET D'AIR**

Régler le volet d'air de façon à avoir un indice de noircissement non inférieur à 1.

(C'est à dire une combustion avec le minimum d'excès d'air).

5. ENTRETIEN

Le brûleur a besoin d'un entretien périodique qui doit être exécuté par un personnel spécialisé.

L'entretien est indispensable pour un bon fonctionnement du brûleur, cela évite également les consommations de combustible excessives et donc les émissions d'agents polluants.

Avant chaque opération de nettoyage ou de contrôle, couper l'alimentation électrique en agissant sur l'interrupteur général.

LES OPERATIONS ESSENTIELLES A EFFECTUER SONT:

- Contrôler qu'il n'y a pas d'obturation ou d'altération des tuyauteries d'alimentation et de retour du combustible.
- Effectuer le nettoyage du filtre de la ligne d'aspiration du combustible et le filtre de la pompe.
- Effectuer le nettoyage de la cellule photorésistance, (voir fig. 9, page 5).
- Vérifier si la consommation est correcte.
- Changer le gicleur, (voir fig. 10, page 7) et contrôler si les électrodes sont placées correctement (fig. 11, page 7).
- Nettoyer la tête de combustion (*l'orifice de sortie du combustible sur l'accroche-flamme*).
- Laisser fonctionner le brûleur à plein régime pendant 10 minutes environ en contrôlant tous les paramètres indiqués dans ce manuel. Après, effectuer une analyse de la combustion en vérifiant:
 - Température des fumées de la cheminée;
 - Le pourcentage de CO₂;
 - Contenu de CO (ppm);
 - L'indice d'opacité des fumées selon l'échelle de Bacharach.

6. PANNES / REMEDES

La liste ci-dessous donne un certain nombre de causes d'anomalies et leurs remèdes. Problèmes qui se traduisent par un fonctionnement anormal du brûleur.

Un défaut, dans la grande majorité des cas, se traduit par l'allumage du signal sur le bouton de réarmement manuel de la boîte de commande et de contrôle (3, fig. 1, page 1).

Quand celui-ci est allumé, une remise en marche est possible après avoir appuyé sur ce bouton; ceci fait, si l'allumage est normal, l'arrêt intempestif du brûleur est attribué à un problème occasionnel et, de toute façon sans danger.

Dans le cas contraire, si la mise en sécurité persiste, il y a lieu de se référer au tableau suivant.

PANNE	CAUSE POSSIBLE	REMEDE
Le led sur la boîte de contrôle est éteint et le brûleur ne démarre pas.	Absence d'alimentation électrique.	Vérifier la tension au bornier L1 - N de la fiche à 7 pôles.
		Vérifier les fusibles.
	Les branchements de la boîte de contrôle ne sont pas corrects.	Vérifier que le thermostat ne soit pas en sécurité.
		Contrôler et vérifier tous les contacts.
Led vert allumé et le brûleur reste dans la phase de prévention continue.	La cellule photorésistance est éclairée par une source lumineuse externe.	Supprimer cette source lumineuse.
Le brûleur exécute normalement les cycles de prévention et d'allumage et se met en sécurité après 5s (env.).	La cellule photorésistance est sale.	La nettoyer.
	La cellule photorésistance est détériorée.	La remplacer.
	Décrochage de flamme.	Contrôler la pression et le débit du combustible.
		Contrôler le débit d'air.
		Changer le gicleur.
Vérifier la bobine de l'électrovanne.		
Mise en marche du brûleur avec retard d'allumage.	Electrodes d'allumages mal réglées.	Les régler comme indiqué dans ce manuel.
	Débit d'air trop fort.	Le régler comme indiqué dans ce manuel.
	Gicleur sale ou détérioré.	Gicleur à changer.

AVERTISSEMENT

La responsabilité du constructeur est dérogée en cas d'utilisation non conforme, de mauvais réglage, et de non respect des instructions comprises dans ce manuel.

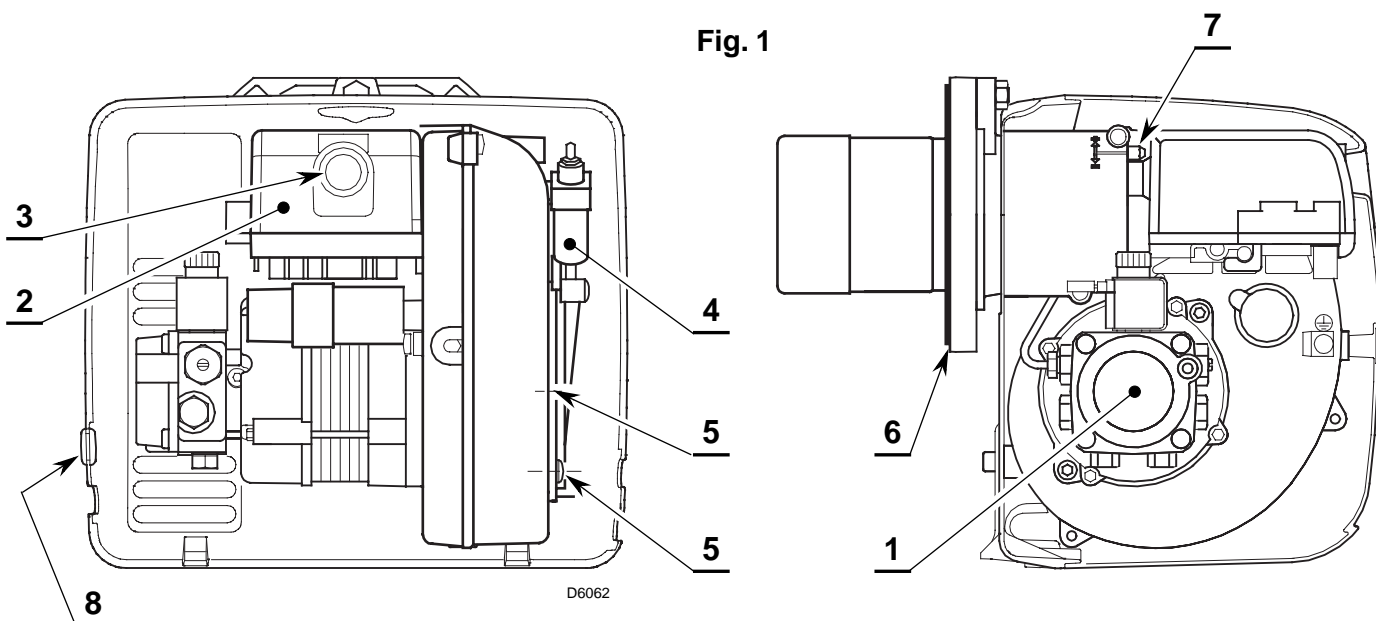
INHOUD

1. BESCHRIJVING BRANDER	1	4.2 Aangewezen verstuivers	6
1.1 Geleverd materiaal	1	4.3 Onderhoudspositie	7
2. TECHNISCHE GEGEVENS	2	4.4 Afstelling elektroden	7
2.1 Technische gegevens	2	4.5 Regeling van de verbrandingskop	7
2.2 Afmetingen	2	4.6 Regeling van de luchtklep	8
2.3 Werkingsveld	2	4.7 Pompdruk	8
3. INSTALLATIE	3	4.8 Startprogramma van de brander	9
3.1 Bevestiging op de ketel	3	4.9 Regeling om een onstabiele vlam te vermijden bij het starten van de brander	9
3.2 Hydraulische installatie	4	5. ONDERHOUD	9
3.3 Elektrische aansluitingen	5	6. DEFECTEN / OPLOSSINGEN	10
4. WERKING	6		
4.1 Regeling verbranding	6		

1. BESCHRIJVING BRANDER

Eéntrapsoliebrander.

- De brander is conform de beschermingsgraad IP 40 volgens EN 60529.
- Brander met EG markering conform de EEG Richtlijnen: EMC 89/336/EEG, Laagspanning 73/23/EEG, Machines 98/37/EEG en Rendement 92/42/EEG.



- | | |
|--|---|
| 1 – Oliepomp | 5 – Blokkeringsschroef van de luchtklep |
| 2 – Bedienings- en controledoos | 6 – Flensdichting |
| 3 – Ontgrendelingsknop met veiligheidssignalisatie | 7 – Regelschroef verbrandingskop |
| 4 – Vijzel met luchtklep | 8 – Wartel |

1.1 GELEVERD MATERIAAL

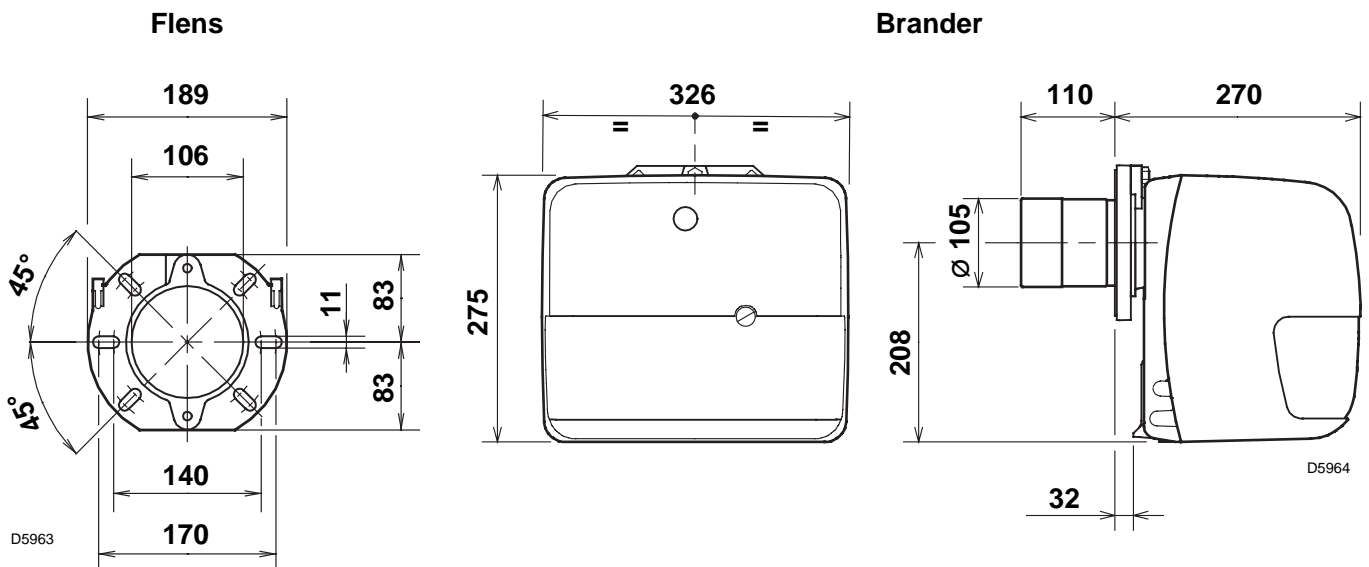
Flensdichting	N° 1	Schroeven & moeren voor bevestiging op ketel	N° 4
Schroef met moeren voor flens	N° 1	Flexibels met nippels	N° 2
Wartel	N° 1	7-polige mannelijke stekker	N° 1

2. TECHNISCHE GEGEVENS

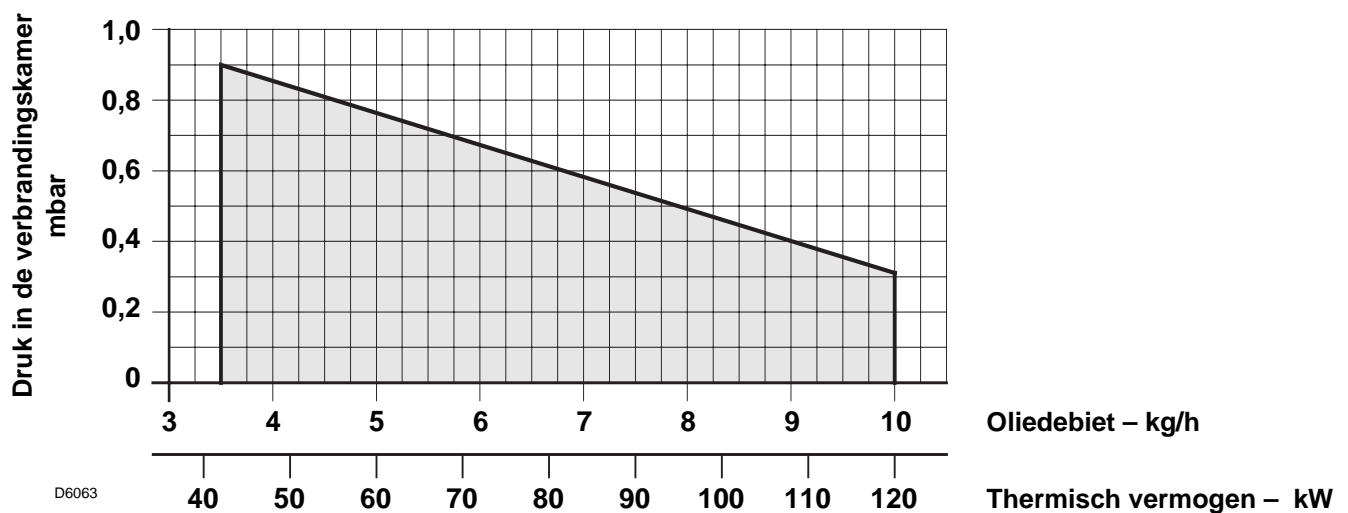
2.1 TECHNISCHE GEGEVENS

Model	MACK 6
Oliedebiet - Thermisch vermogen	3,5 ÷ 10 kg/h – 42 ÷ 120 kW
Brandstof	Stookolie, max. viscositeit bij 20°C: 6 mm ² /s
Elektrische voeding	Monofasig, ~ 50Hz 230V ± 10%
Motor	Opgenomen stroom 0,80A – 2850 t/min – 298 rad/s
Condensator	4 µF
Ontstekingstransformator	Secundair 8 kV – 16 mA
Pomp	Druk: 7 ÷ 15 bar
Opgeslorpt vermogen	0,17 kW

2.2 AFMETINGEN



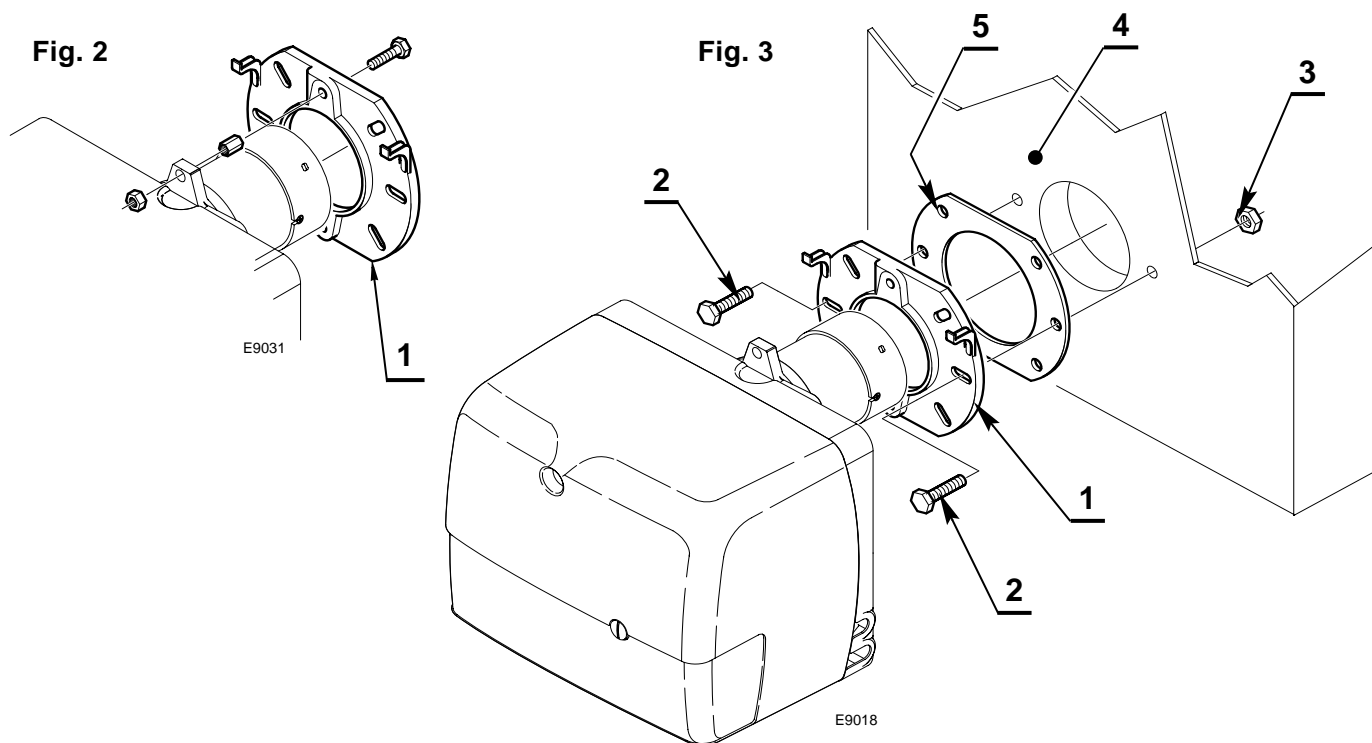
2.3 WERKINGSVELD (volgens EN 267)



3. INSTALLATIE

3.1 BEVESTIGING OP DE KETEL

- Schroef en twee moeren in de flens (1) aanbrengen, (zie fig. 2).
- Indien nodig, de gaten in de flensdichting (5) vergroten.
- Bevestig de flens (1) op de ketelplaat (4) met behulp van de schroeven (2) en (indien nodig) de moeren (3) en voeg de flensdichting (5) ertussen, (zie fig. 3).



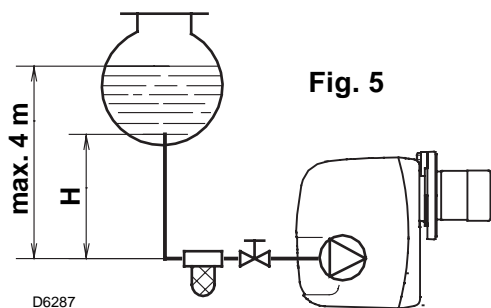
3.2 HYDRAULISCHE INSTALLATIE

De toevoer van stookolie is langs beide kanten van de brander mogelijk.

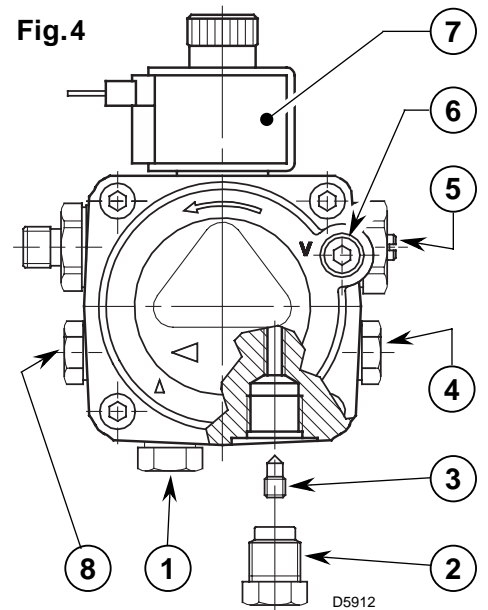
OPGELET:

- Het is noodzakelijk een filter te plaatsen op de voedingslijn van de brandstof. **Op aanvraag zijn leverbaar: standaardfilter, code 6276200 of recyclagefilter, code 6276201.**
- De pomp is voorzien voor een installatie met twee leidingen. Draai bij één leiding de moer van de terugloopleiding (2) los, verwijder de by-pass schroef (3) en draai de dop (2) opnieuw aan, (zie fig. 4).
- Alvorens de brander op te starten, controleer of de terugloopleiding niet verstopt is. Daardoor zou immers de dichting van de pomp beschadigd kunnen worden.

INSTALLATIE MET ÉÉN LEIDING (VERBODEN IN DUITSLAND)



H meter	L meter	
	ø i 8 mm	ø i 10 mm
0,5	10	20
1	20	40
1,5	40	80
2	60	100



- 1 - Aanzuigleiding
- 2 - Terugloopleiding
- 3 - By-pass schroef
- 4 - Manometeransluiting
- 5 - Drukregelaar
- 6 - Vacuümmeteraansluiting
- 7 - Olieventiel
- 8 - Hulpdrukmeetpunt

AANZUIGING VAN DE POMP:

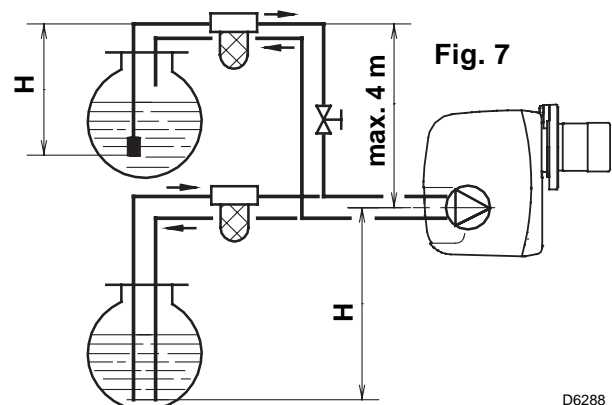
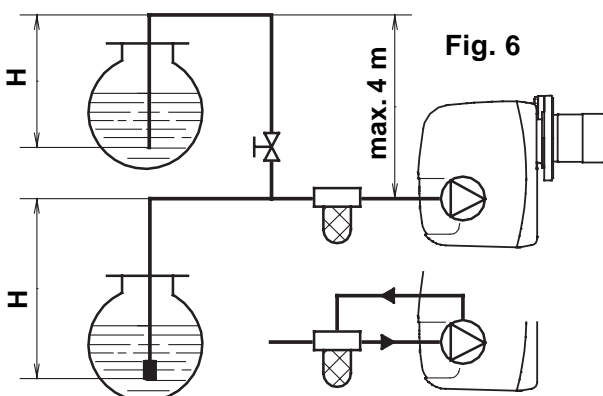
Bij een installatie zoals in fig. 5, de vacuümmeteraansluiting (6, fig. 4) losdraaien tot er brandstof ontsnapt.

Bij een installatie zoals in fig. 6 en 7, de brander in werking stellen en de aanzuiging afwachten. Als de brander in veiligheid gaat (vergrendelt) voor er brandstof wordt toegevoerd, dient u min. 20 sec. te wachten alvorens de operatie te herhalen.

Overschrijdt een max. onderdruk van 0,4 bar (30 cm Hg) niet. Boven die waarde ontsnapt het gas van de brandstof. De leidingen moeten volledig luchtdicht zijn.

Bij een installatie in onderdruk (fig. 7), dienen de aanzuig- en terugloopleiding zich op dezelfde hoogte te bevinden. In dat geval is een voetklep overbodig. Bij een niveauverschil tussen beide leidingen is een voetklep noodzakelijk. Deze tweede oplossing biedt echter minder zekerheid omdat de dichtheid van de voetklep eventueel ontoereikend kan zijn.

H meter	L meter	
	ø i 8 mm	ø i 10 mm
0	35	100
0,5	30	100
1	25	100
1,5	20	90
2	15	70
3	8	30
3,5	6	20



H = Niveauverschil;

L = Max. lengte aanzuigleiding;

ø i = Binnendiameter leiding.

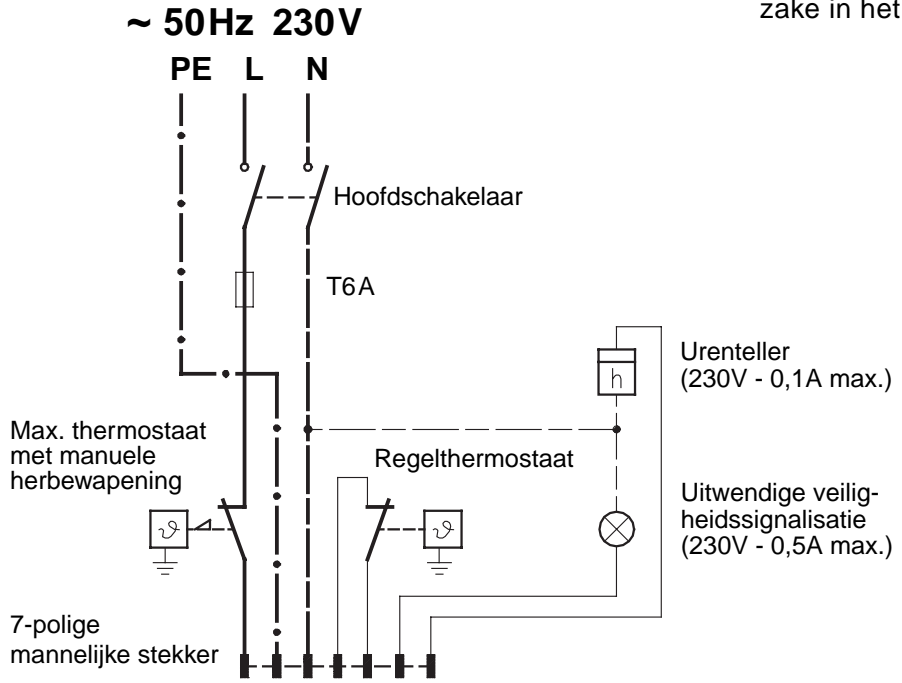
3.3 ELEKTRISCHE AANSLUITINGEN

OPGELET

NULLEIDER EN FASE NIET OMWISSELEN

NOOT:

- Doorsnede geleiders 1 mm².
- De elektrische aansluitingen die de installateur uitvoert dienen te voldoen aan de wetgeving terzake in het betrokken land.



CHECK-UP:

Controleer de branderstop bij opening van de thermostaten.

CONTROLEDOOS

Om de controledoos van de brander te verwijderen, schroef (A, fig. 8) losdraaien en in de richting van de pijl trekken nadat u alle componenten, de 7-polige mannelijke stekker en de aarding ontkoppeld heeft.

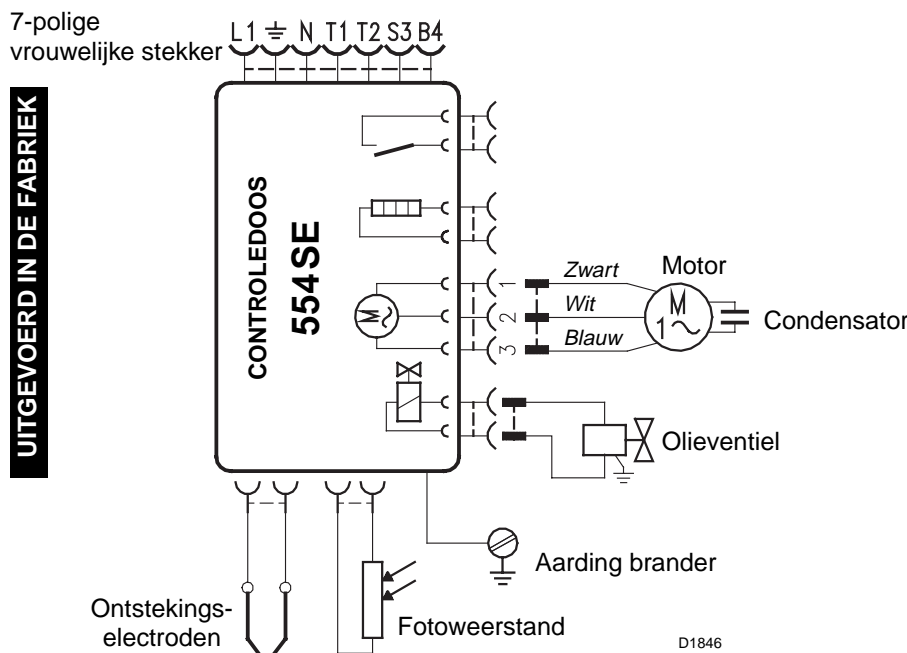


Fig. 8

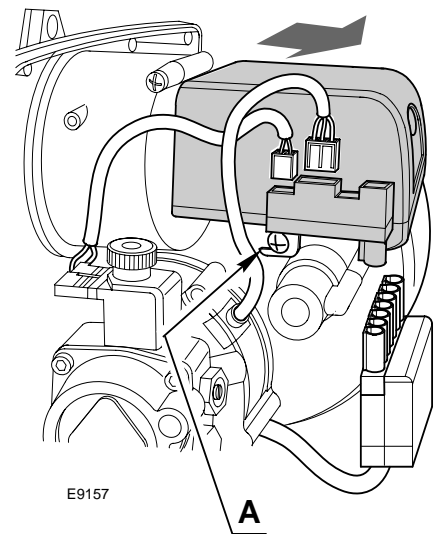
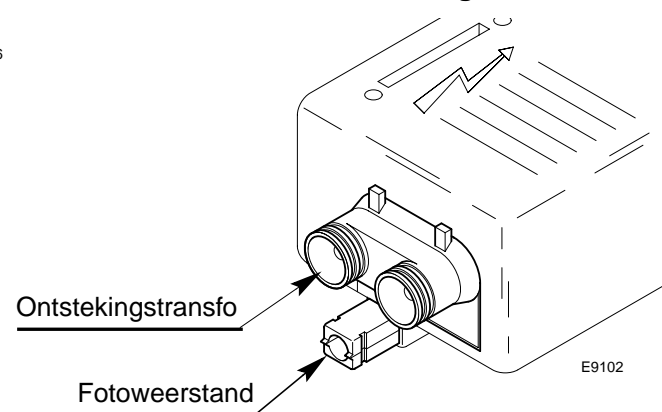


Fig. 9

TOEGANKELIJKHEID VAN DE FOTOWERSTAND (Zie fig. 9)

De fotoweerstand is rechtstreeks op de controledoos gemonteerd (onder de ontstekingstransfo) op een houder met stekkerkoppeling.



4. WERKING

4.1 REGELING VERBRANDING

Conform de Richtlijn Rendement 92/42/EEG, moeten de montage van de brander op de ketel, de regeling en de testen worden uitgevoerd volgens de handleiding van de ketel. Hieronder valt ook de controle van de CO en CO₂ in de rookgassen, de temperatuur van de rookgassen en de gemiddelde temperatuur van het water van de ketel.

In functie van het nodige ketelvermogen, worden de verstuiver, de pompdruk, de regeling van branderkop en luchtklep bepaald volgens de tabel hieronder.

■ AFSTELLING VOOR SIME KETEL

De in de tabel vermelde waarden zijn verkregen op SIME ketels (volgens EN267). Ze hebben betrekking op 12,5% CO₂, op zeeniveau en met temperatuur van de omgeving en van de stookolie op 20 °C.

KETEL	BRANDER - Code 8099050 - Model MACK 6						
	Verstuiver		Pompdruk	Brander debiet	Regeling branderkop	Regeling luchtklep	
	GPH	Hoek	bar	kg/h ± 4%	Merkteken	Merkteken	
Rondò-Estelle 6	▲	1,10	60° W	12	4,4	2,0	3,0
Rondò-Estelle 7		1,25	60° W	13	5,2	2,5	3,5
1R 6		1,50	60° B	12	6,0	3,0	3,5
1R 7		1,75	60° B	12	7,0	3,5	4,0
1R 8		1,75	60° B	14	7,6	4,0	5,0

▲ Afstelling van de brander zoals uitgevoerd in de fabriek.

Als de brander wordt gecombineerd met een ander keteltype dan "Rondò-Estelle 6", raadpleeg dan de afstellingen zoals opgenomen in de tabel.

■ INDICATIEVE AFSTELLING VOOR INSTALLATIE OP ANDERE KETELS

De in de tabel vermelde waarden zijn verkregen op CEN ketels (volgens EN267). Ze hebben betrekking op 12,5% CO₂, op zeeniveau en met temperatuur van de omgeving en van de stookolie op 20 °C.

Verstuiver		Pompdruk	Brander debiet	Regeling branderkop	Regeling luchtklep
GPH	Hoek	bar	kg/h ± 4%	Merkteken	Merkteken
0,85	60°	12	3,4	1	2,1
1,00	60°	12	4,0	1,5	3,2
1,10	60°	12	4,4	2	3
1,25	60°	12	5,0	2	3,4
1,50	60°	12	6,0	3	3,4
1,75	60°	12	7,0	4	4,5
2,00	60°	12	8,0	5	5,2
2,25	60°	12	9,0	6	5,5
2,25	60°	14	9,8	6	6
2,50	60°	12	10,0	6	8

4.2 AANGEWZEN VERSTUIVERS: Monarch type R ; Delavan type W - B
Steinen type S - Q ; Danfoss type S - B

Voor verstuivers met debiet 2,00 ÷ 2,50 GPH, volle kegel gebruiken, indien nodig.

4.3 ONDERHOUDSPOSITIE

Toegankelijkheid van de verbrandingskop, de elektroden en de verstuiver, (zie fig. 10).

- Verwijder de brander uit de ketel na de moer ter bevestiging aan de flens verwijderd te hebben.
- Haak de brander aan de flens (1), verwijder de verbrandingskop (2) na de schroeven (3) los gedraaid te hebben.
- Verwijder de elektroden (5) uit de verstuiverhouder (4) na de schroef (B, fig. 11) losgedraaid te hebben.
- Draai de verstuiver (6) aan.

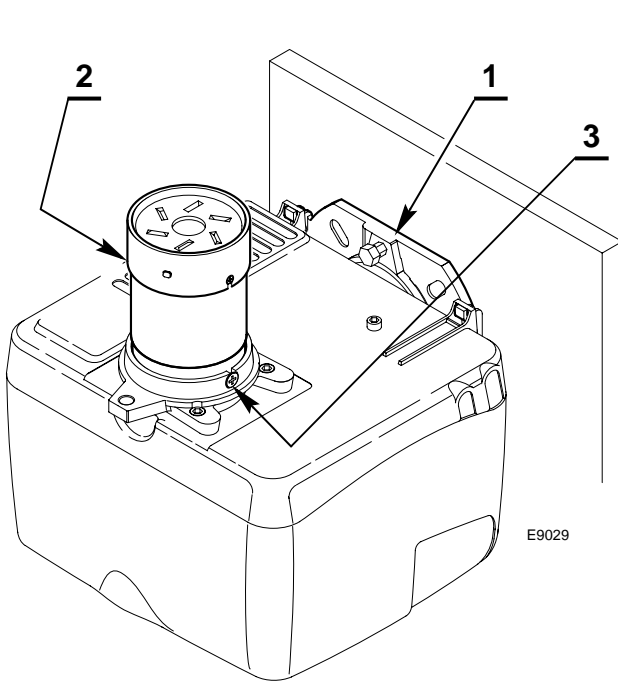
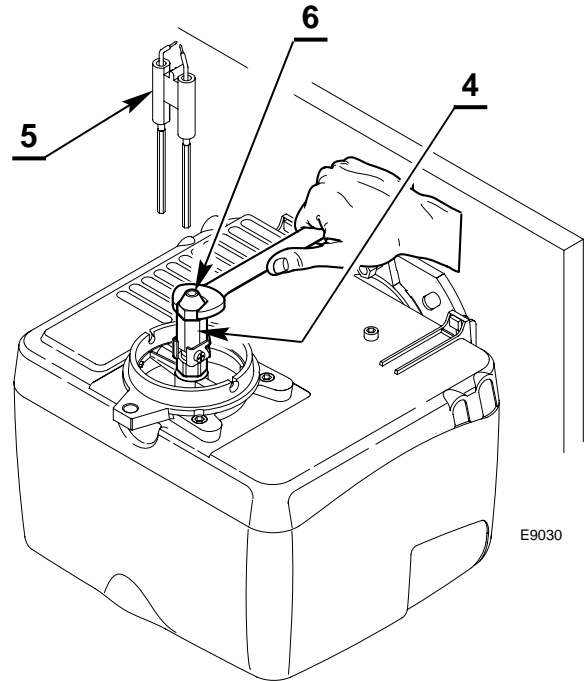


Fig. 10

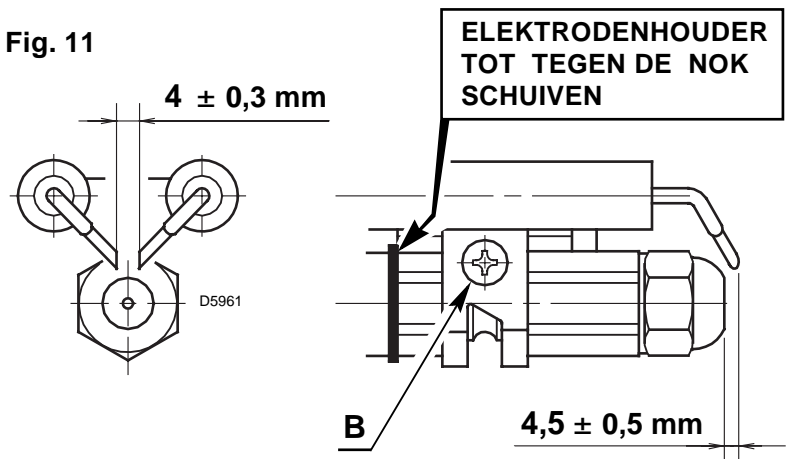


4.4 AFSTELLING ELECTRODEN

OPGELET

Vooraleer de verstuiver te monteren of te demonteren, schroef (B, fig. 11) losdraaien en de elektroden naar voor schuiven.

Fig. 11



4.5 REGELING VAN DE VERBRANDINGSKOP, (zie fig. 12 en 13, blz. 8)

Dat gebeurt wanneer men de verstuiver plaatst, met gedemonteerd kanon. De regeling is afhankelijk van het debiet van de brander. Draai aan de regelstang tot het uiteinde van het kanon overeenkomt met de inkeping die in de tabel is aangegeven.

Op de tekening van fig. 12, is de kop geregeld voor een debiet van 1,50 GPH, bij 12 bar. De schaal van de aanwijzer 3 stemt overeen met het uiteinde van de branderkop, zoals opgegeven in de tabel.

De regeling van de branderkop, zoals in de tabel is aangegeven, geldt in de meeste gevallen. Het ventilatordebiet wordt slechts bereikt door de luchtklep.

De branderkop eventueel bijstellen door met een Engelse sleutel van 6 mm (2) aan de stang (1) te draaien. (Zie fig. 13).

NAAR RECHTS DRAAIEN: (+ teken)

Om de hoeveelheid lucht in de verbrandingskamer te verhogen en de druk aan de verbrandingskop te verlagen. De hoeveelheid CO₂ vermindert en de vlam haakt beter aan. (Regeling aan te raden voor ontsteking bij lage temperatuur).

NAAR LINKS DRAAIEN: (- teken)

Om de hoeveelheid lucht in de verbrandingskamer te verminderen en de druk aan de verbrandingskop te verhogen. De hoeveelheid CO₂ verhoogt en de vlam haakt minder goed aan. (Regeling af te raden voor ontsteking bij lage temperatuur).

De regeling van de branderkop mag in geen geval meer dan één inkeping verschillen dan de waarde die op de tabel is aangeduid. Elke inkeping stemt overeen met drie toeren van de stang. Een opening (3) op het uiteinde vereenvoudigt het tellen van de toeren.

4.6 REGELING VAN DE LUCHTKLEP

(Zie fig. 14)

De beweegbare luchtklep (1), die door de vijzel (2) bediend wordt, wordt opent de luchttoevoer volledig.

Na dat de schroeven (4) werden losgedraaid kan men met de vaste luchtklep (3) het luchtdebiet regelen. Eenmaal alles optimaal geregeld is, **de schroeven (4) van de luchtklep opnieuw vastdraaien**; men moet ze helemaal vastdraaien opdat de beweegbare luchtklep (1) vrij zou kunnen functioneren.

De regelingen die in de tabel (blz.6) zijn weergegeven zijn van toepassing voor een brander met gemonteerde branderkap en met een onderdruk nul. Ze zijn louter indicatief. Elke installatie heeft haar eigen werkingsvoorwaarden die men niet op voorhand kan bepalen: het effectief debiet van de verstuiver, druk of onderdruk in de verbrandingskamer, teveel lucht enz. Al die voorwaarden kunnen een andere regeling van de luchtklep vereisen.

Hou er rekening mee dat de aangeblazen lucht van de ventilator verschilt naargelang de kap al dan niet gemonteerd is.

Men moet dus als volgt te werk gaan:

- De luchtklep regelen zoals in de tabel (blz. 6) is aangegeven.
- De kap monteren.
- De Bacharach en de CO₂ controleren.
- Indien het nodig is het luchtdebiet te veranderen, de schroef van de kap losdraaien, de kap wegnemen, de luchtklep regelen, opnieuw de kap monteren en de Bacharach opnieuw controleren.

4.7 POMPDRUK

12 bar: De pomp verlaat de fabriek afgesteld op die waarde.

14 bar: Geeft een betere vlamhaking. Aanbevolen voor ontsteking bij lage temperatuur.

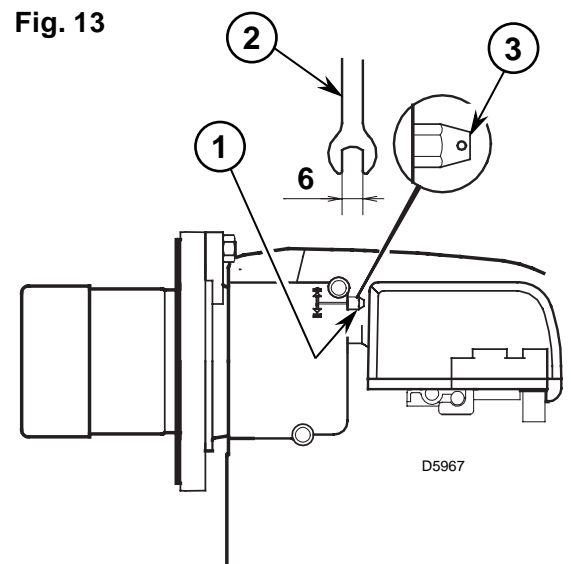
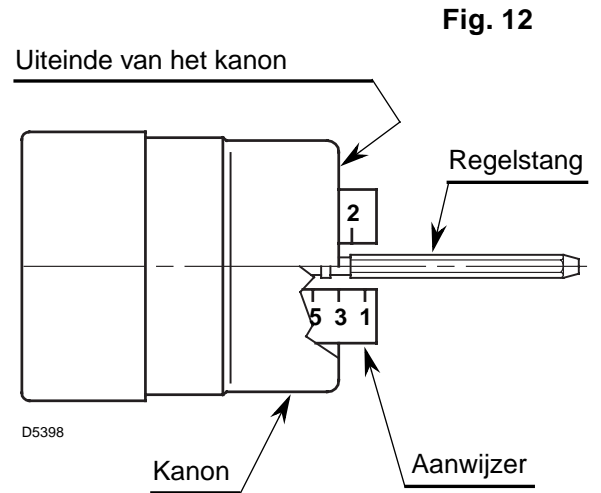
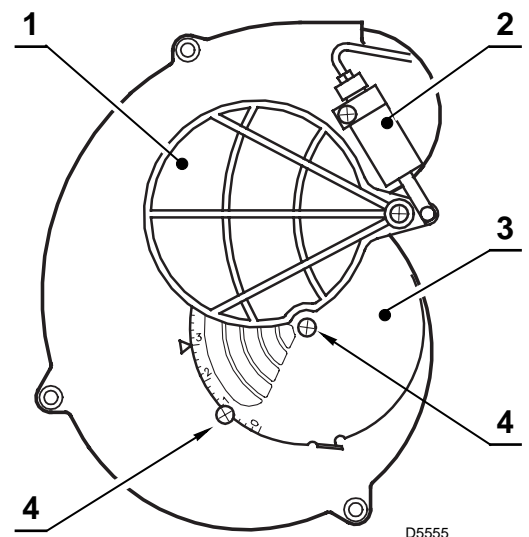
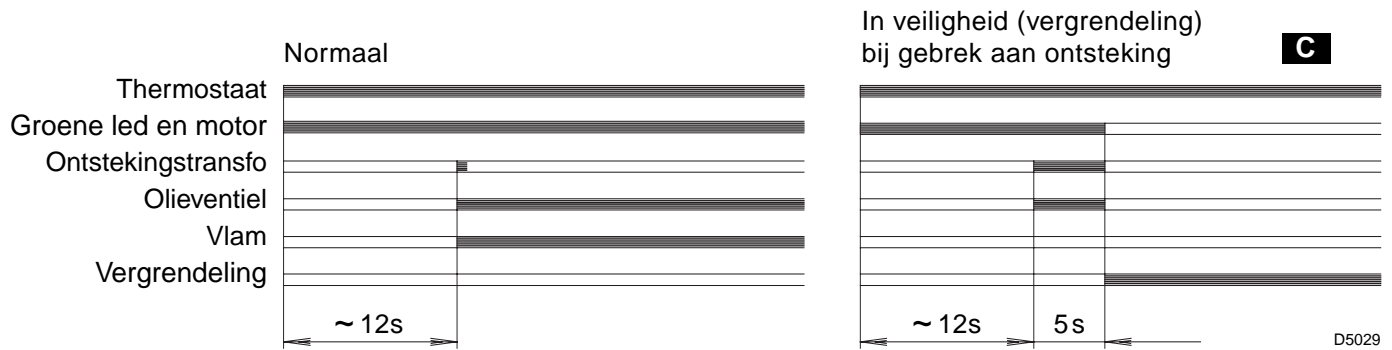


Fig. 14



4.8 STARTPROGRAMMA VAN DE BRANDER



C Aangeduid door de LED (controlelamp) op de bedienings- en controledoos (3, fig. 1, blz. 1).

4.9 REGELING OM EEN ONSTABIELE VLAM TE VERMIJDEN BIJ HET STARTEN VAN DE BRANDER

Dat probleem kan zich voordoen als de temperatuur van de stookolie onder $+5^{\circ}\text{C}$ daalt.

1) **JUISTE STAND VAN DE ELEKTRODEN**, (zie fig. 11, blz. 7).

2) **REGELING VAN DE POMP**

De pomp verlaat de fabriek en is voorgeregeld op 12 bar.

Als de temperatuur van de stookolie daalt onder $+5^{\circ}\text{C}$, dan moet men de druk verhogen tot 14 bar.

3) **REGELING VAN DE VERBRANDINGSKOP**

Regel de kop op een hogere waarde dan de waarde die voorzien is in het instructieboekje.

Voorbeeld: volgens het instructieboekje moet men de kop regelen op stand 3. Regel hem dus op stand 4.

4) **REGELING VAN DE LUCHTKLEPPEN**

Regel de luchtkleppen zodanig dat de Bacharach niet kleiner is dan 1.

(t.t.z. een verbranding met een minimum overdreven lucht).

5. ONDERHOUD

Onderhoud is noodzakelijk om een goede werking van de brander te verzekeren, om uitermate hoog brandstofverbruik en dus hoge milieubelastende emissies te vermijden.

Alvorens de brander te reinigen of te controleren, sluit de elektrische voeding af door op de hoofdschakelaar te drukken.

BELANGRIJKSTE ONDERHOUDSTAKEN:

- Controleer of de aanzuig- en/of terugloopleiding niet verstopt of in slechte staat zijn.
- Reinig de filter op de aanzuigleiding (van brandstof) en de filter van de pomp.
- Reinig de fotowerstand (zie fig. 9, blz. 5).
- Kijk na of het brandstofverbruik normaal is.
- Vervang de verstuiver, (zie fig. 10, blz. 7) en controleer of de elektroden goed geplaatst zijn (fig. 11, blz. 7).
- Reinig de branderkop de vlamhaker en de verstuiverlijn.
- Laat de brander gedurende een 10-tal minuten op vollast draaien waarbij alle in deze aanwijzingen opgegeven parameters gecontroleerd worden. Voer daarna een brandstofanalyse uit en controleer:
 - Temperatuur verbrandingsgassen in de schouw;
 - Gehalte CO_2 ;
 - Gehalte CO (ppm);
 - Dichtheidsgraad van de verbrandingsgassen volgens de Bacharach-schaal.

6. DEFECTEN / OPLOSSINGEN

Hieronder vindt u een lijst met mogelijke defecten en oplossingen. Alle problemen geven aanleiding tot een abnormale werking van de brander.

In de meeste gevallen gaat bij een probleem het lampje branden van de manuele herbewapeningsknop van de controle- en bedieningsdoos (3, fig. 1, blz. 1).

Als dat lampje brandt, kan de brander opnieuw worden opgestart door een eenvoudige druk op de knop. Is er een normale ontsteking dan kan deze onverwachte branderstop toegeschreven worden aan een occasioneel probleem.

Indien de brander daarentegen opnieuw in veiligheid gaat (vergrendelt), gelieve de hieronder opgenomen tabel te raadplegen.

DEFECTEN	MOGELIJKE OORZAKEN	OPLOSSINGEN
De led op de controle- doos is uit en de brander ontsteekt niet.	Geen elektrische voeding (Geen stroom).	Check de spanning aan het klemmen- bord L1 - N van de 7-polige mannelijke stekker.
		Check de zekeringen.
		Check of de thermostaat niet vergrendeld is.
	De aansluitingen van de controle- doos zijn niet correct.	Check alle aansluitingen.
Groene led aan en de brander blijft in voortdu- rende voorventilatie.	De fotoweerstand wordt door een externe lichtbron belicht.	De externe lichtbron verwijderen/ uitschakelen.
De brander doorloopt de fases van voorventilatie en ontsteking normaal maar gaat in veiligheid (vergrendelt) na ± 5 sec.	De fotoweerstand is vuil.	Reinigen
	De fotoweerstand is beschadigd.	Vervangen.
	Afhaken van de vlam.	Druk en debiet van de brandstof checken.
		Luchtdebiet checken.
Verstuiver vervangen.		
		Bobijn van het electromagneetventiel checken.
De brander start maar met een vertraagde ont- steking.	Ontstekingselectroden slecht afgesteld.	Afstellen zoals opgegeven in de technische documentatie.
	Te sterk luchtdebiet.	Afstellen zoals opgegeven in de technische documentatie.
	Verstuiver vuil of beschadigd.	Vervangen

WAARSCHUWING

De fabrikant is niet verantwoordelijk in geval van onconform gebruik, slechte afstelling en niet naleving van de aanwijzingen vervat in dit document.



Fonderie Sime S.p.A. - via Garbo, 27 - 37045 Legnago (Vr) - Italy

Tel. +39/0442 631111 - Export Division fax number +39/0442 631293 - Sime Service fax number +39/0442 631292